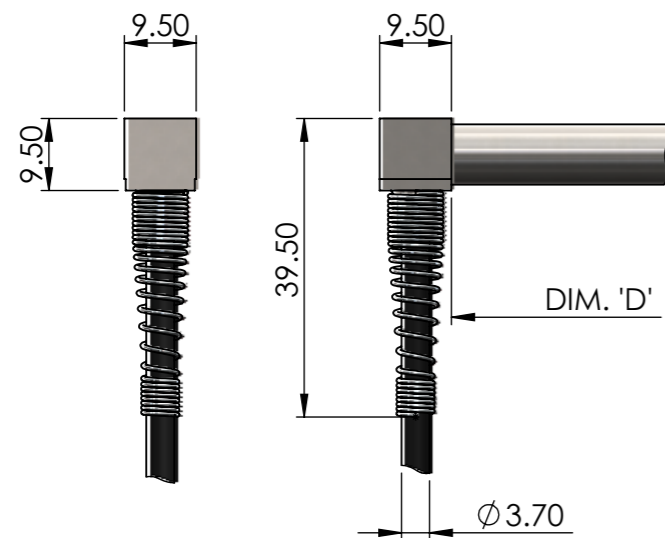
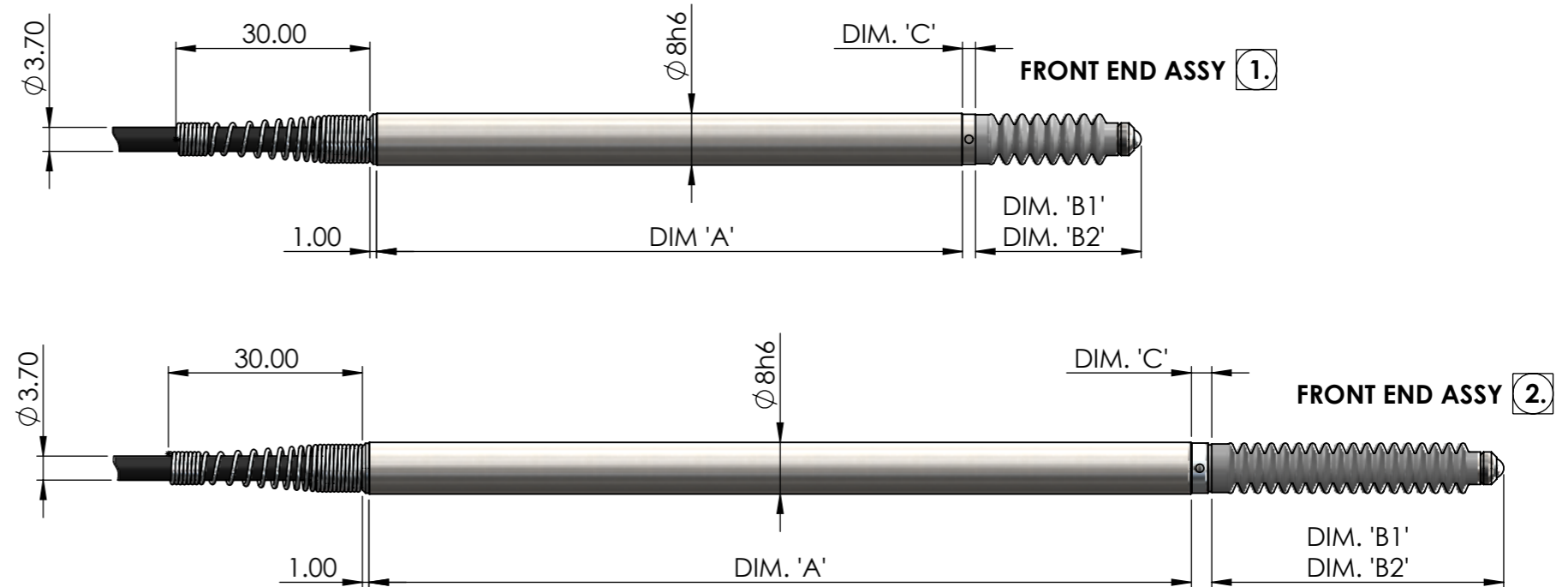


3D MODEL GUIDE		
RANGE	DP PNEUMATIC PUSH	
	AXIAL	R/A
2mm	540002-301	540002-308
5mm	540002-302	540002-329
10mm	540002-303	540002-349
10/2mm	540002-398	-
12mm	540002-368	-
20mm	540002-340	540002-359



RADIAL CABLE OUTLET OPTION 'R/A'

MEASUREMENT RANGE	2mm	5mm	10mm	10/2mm	12mm	20mm
CASE LENGTH AXIAL DIM. 'A'	47.50	66.50	89.00	75.00	127.00	127.00
CASE LENGTH R/A DIM. 'D'	33.50	52.50	76.50	-	-	113.50
FULLY EXTENDED DIM. 'B1'	14.35	18.10	25.60	25.60	28.35	45.10
PRE-TRAVEL	0.15	0.15	0.15	0.15	0.15	0.15
POST-TRAVEL	0.85	0.85	0.85	8.85	0.85	0.85
FULLY RETRACTED DIM. 'B2'	11.35	12.10	14.60	14.60	15.35	24.10
DIMENSION 'C'	2.00	2.00	2.00	4.20	2.00	3.15
FRONT END ASSY	1.	1.	1.	2.	1.	2.

## DP/S-DIGITAL STANDARD SPRING PUSH

SOLARTRON PURSUES A POLICY OF CONTINUOUS DEVELOPMENT. SPECIFICATIONS IN THIS DOCUMENT MAY THEREFORE BE CHANGED WITHOUT NOTICE. DIMENSIONS ARE NOMINAL AND SPECIFIED IN MILLIMETRES.