

## Sensor technologies → Proximity sensors

## Sensor, Series ST6

▶ 6 mm groove ▶ with cable ▶ without wire end ferrule, tin-plated



00112027\_2

Ambient temperature min./max.	-25°C / +70°C
Protection class according to EN 60529:2000	IP 65IP 67
Switching point precision [mm]	±0,1
Switching capacity	3 W / 3 VA
Vibration resistance	10 - 55 Hz, 1 mm
Shock resistance	30 g / 11 ms

## Materials:

Housing	Polyamide
Cable	Polyurethane

	Type of contact	Cable length L	DC operating voltage min./max.	Operational voltage AC min./max.	DC switching current, max.	AC switching current, max.	Part No.
		[m]	[V]	[V]	[A]	[A]	
	Reed	3	10 / 30	10 / 30	0,13	0,13	<b>0830100629</b>
		5					<b>0830100630</b>
		10					<b>R412004575</b>
	electronic PNP	3	10 / 30	-	0.1	0.1	<b>0830100631</b>
		5					<b>0830100632</b>
		10					<b>R412004576</b>
	electronic NPN	3	10 / 30	-	0.1	-	<b>0830100633</b>
		5					<b>0830100634</b>
	Reed	3	10 / 110	10 / 110	0,13	0,13	R412007815
	electronic PNP	1.4	10 / 30	-	0.1	0.1	0830100635

Part No.	Voltage drop U at I <sub>max</sub>	Protective resistor for reed	Max. switching frequency	Operating current, not switched	Operating current, switched	LED	Note
	[V]	[Ω]	[kHz]	[mA]	[mA]		
<b>0830100629</b> <b>0830100630</b> <b>R412004575</b>	I*Rs	15	< 0,3	-	< 10	Yellow	1); 3)
<b>0830100631</b> <b>0830100632</b> <b>R412004576</b>	≤ 2,5	-	< 1,0	< 20	< 30	Yellow	2); 3)
<b>0830100633</b> <b>0830100634</b>	≤ 2,5	-	< 1,0	< 20	< 30	Yellow	2); 3)
R412007815	I*Rs	15	< 0,3	-	< 10	Yellow	1)
0830100635	≤ 2,5	-	< 0,1	< 20	< 30	Yellow	1); 3)

1) Protected against polarity reversal

2) short circuit resistant; Protected against polarity reversal

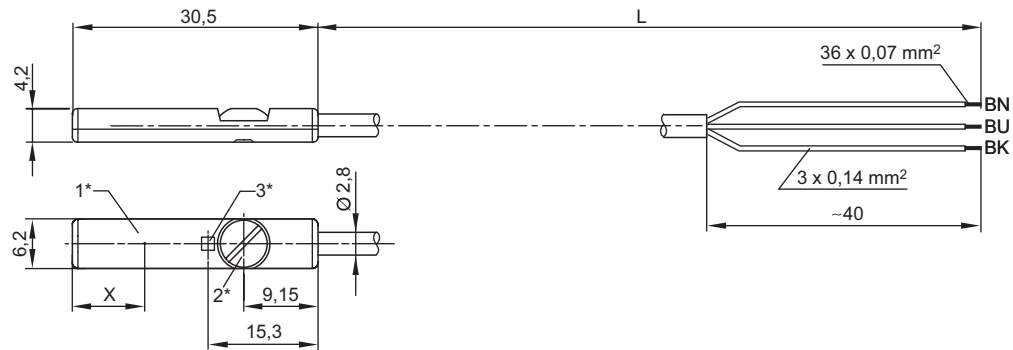
3) UL (Underwriters Laboratories)

interfaces: without wire end ferrule, tin-plated

## Sensor technologies → Proximity sensors

**Sensor, Series ST6**

▶ 6 mm groove ▶ with cable ▶ without wire end ferrule, tin-plated

**Dimensions**

00111942\_b

1\* = switching point 2\* = clamping screw 3\* = LED

L = cable length

BN = brown, BK = black, BU = blue

X = electronic: 6 mm, Reed: 10 mm