

Type: Semi-hermetic piston compressors

Producer: Frascold

Series: D

Model: D 3 19.1 Y

Technical data

Nominal motor power [kW/HP]:	2,2 / 3
Cylinder count:	2
Displacement [m ³ /h]:	19,12
RPM [min ⁻¹]:	1450
Weight net [kg]:	49
Weight gross [kg]:	50
Oil charge [dm ³]:	1,2

Electrical data

Power supply [V/~/Hz]:	230V/3/50 Δ	400V/3/50 Y
Locked rotor current [A]:	75,9	43,7
Max. operating current [A]:	17	9,8

Connections

	<u>milimeters</u>	<u>inches</u>
Suction line:	28,6	1 1/8
Discharge line:	15,8	5/8

R22

Cooling capacity [W]

$t_c \setminus t_e$	-5	-10	-15	-20	-25	-30	-35	-40	-45
30	13 240	10 840	8 790	7 080	5 600	4 350	3 280	2 380	1 630
40	11 660	9 530	7 680	6 210	4 910	3 780	2 810	1 980	1 280
45	10 890	8 880	7 140	5 770	4 560	3 490	2 560	1 760	1 090
50	10 090	8 230	6 590	5 330	4 200	3 190	2 300	1 540	-

Power input [W]

$t_c \setminus t_e$	-10	-20	-30	-40
40	4 030	3 350	2 570	1 740

With head cooling

Operating conditions: suction gas temperature 20°C, 0K subcooling

t_c - Condensing temperature [°C]

t_e - Evaporating temperature [°C]


R134a

Cooling capacity [W]

t_c \ t_e	12.5	7.5	5	0	-5	-10	-15	-20
30	18 630	15 440	14 030	11 500	9 330	7 480	5 900	4 560
40	16 480	13 660	12 390	10 120	8 170	6 490	5 050	3 830
45	15 410	12 760	11 570	9 440	7 580	5 990	4 620	3 460
50	14 340	11 860	10 750	8 740	6 990	5 480	4 190	3 080

Power input [W]

t_c \ t_e	12.5	5	0	-10
40	3 530	3 160	2 880	2 320

 With head cooling

Operating conditions: suction gas temperature 20°C, 0K subcooling

t_c - Condensing temperature [°C]

t_e - Evaporating temperature [°C]

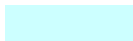
R404A/R507

Cooling capacity [W]

$t_c \setminus t_e$	-15	-20	-25	-30	-35	-40	-45
30	10 020	8 170	6 590	5 240	4 100	3 150	2 370
40	8 510	6 940	5 590	4 440	3 470	2 660	1 970
45	7 750	6 320	5 090	4 050	3 160	2 410	-
50	6 990	5 700	4 590	3 650	2 850	2 180	-

Power input [W]

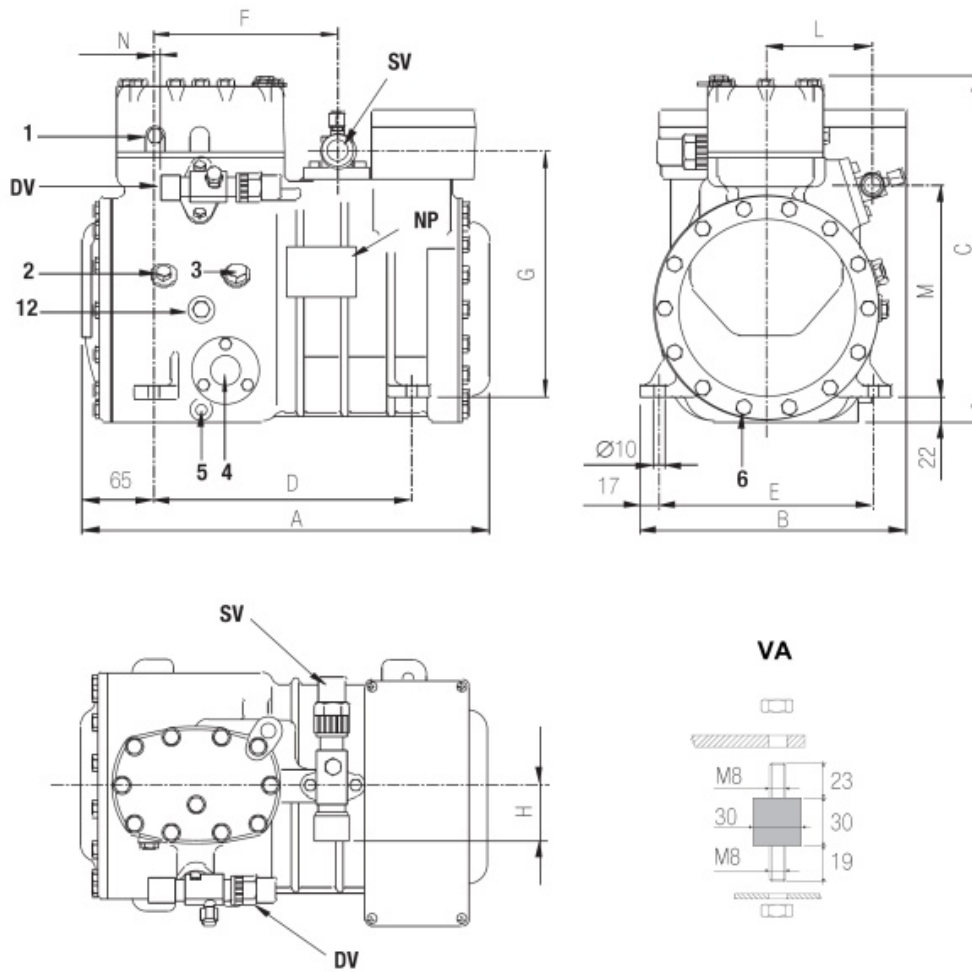
$t_c \setminus t_e$	-20	-30	-40
40	4 140	3 270	2 450

 With head cooling

Operating conditions: suction gas temperature 20°C, 0K subcooling

t_c - Condensing temperature [°C]

t_e - Evaporating temperature [°C]



A	374 mm
B	242 mm
C	317 mm
D	234 mm
E	194 mm
F	165 mm
G	220 mm
H	53 mm
L	94 mm
M	192 mm
N	13 mm

1: high pressure plug
2: low pressure plug
3: oil charge plug
4: oil level sight glass
5: crankcase heater seat
12: oil return plug
NP: name plate

6: oil drain plug
DV: discharge valve
SV: suction valve

