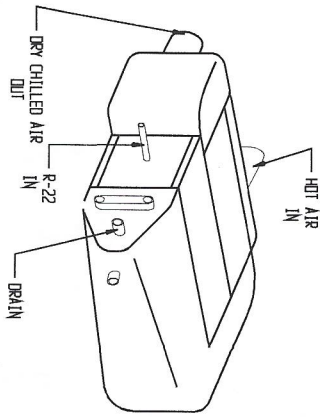
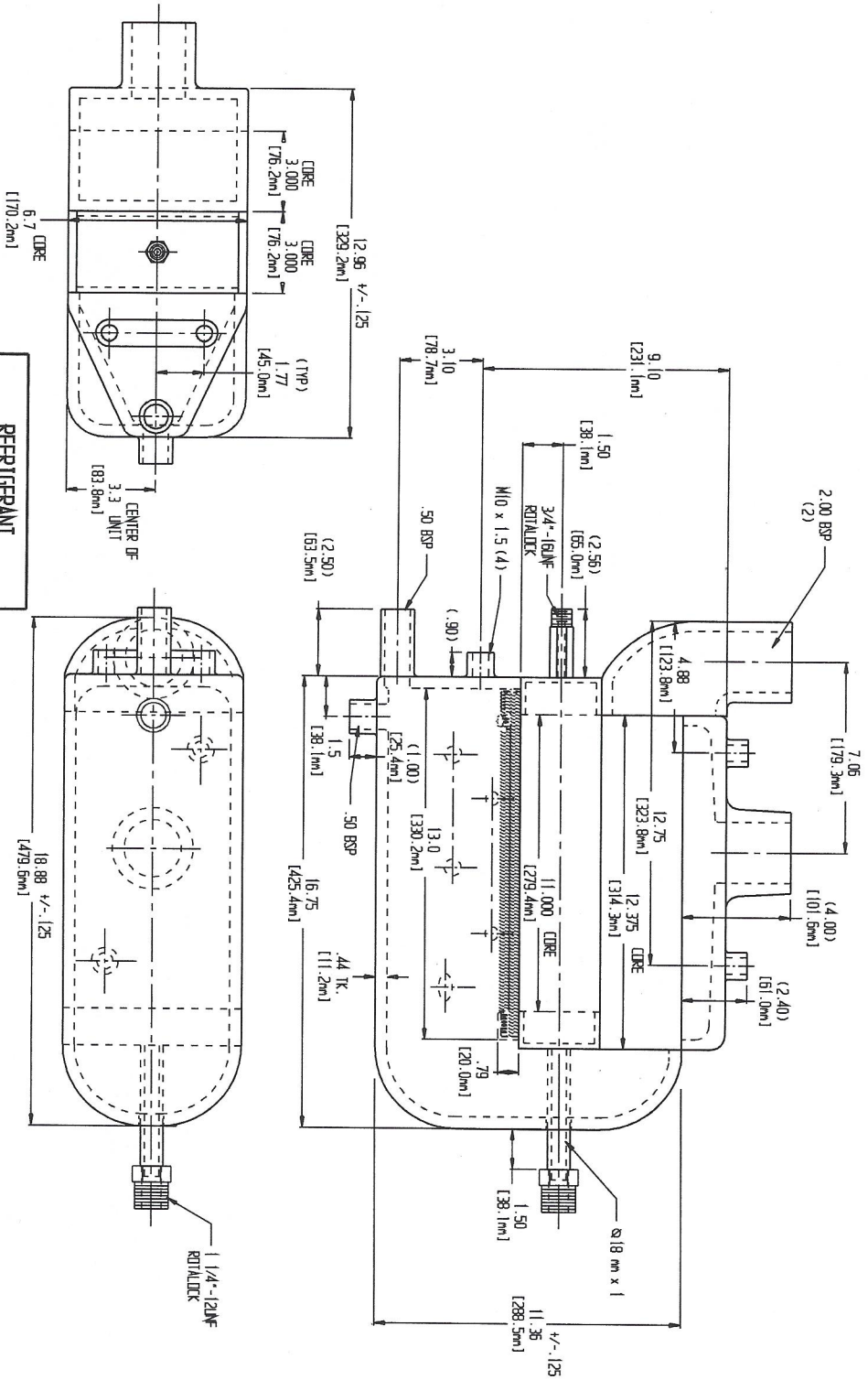


FOR YOUR INTERNAL USAGE ONLY!
It is not permitted to pass this drawing to a third person without our written approval!



AIR = 751.2 in³ (12.31 Liters)
R-22 = 113.93 in³ (1.87 Liters)

REFRIGERANT
INTERNAL DESIGN PRESSURE
280 P.S.I.G. @ 149°F.
(19.3 BAR G) (65°C)

DRY AIR + MOIST AIR
INTERNAL DESIGN PRESSURE
203 P.S.I.G. @ 149°F.
(14 BAR G) (65°C)

CUSTOMER P/N

ALL DIMENSION IN INCHES [mm]
DO NOT SCALE DRAWING

ITEM NO.	REV.	DESCRIPTION	DATE	BY	CHK'D BY	DATE	REV.
1	1	REV'D AIR VOLUME	10/12/06	MPC			
2							
3							
4							
5							

HX 625
"14 BAR"

API Airtech
ADIVISION OF API HEAT TRANSFER, INC.

DRAWING NUMBER
B 619-1006M-BSP

SHIP ASSEMBLY DRAWING
PART NAME
DWG SIZE
DWG. PART NO.
CORE WEIGHT
REMARKS
LB.
REV. 1