

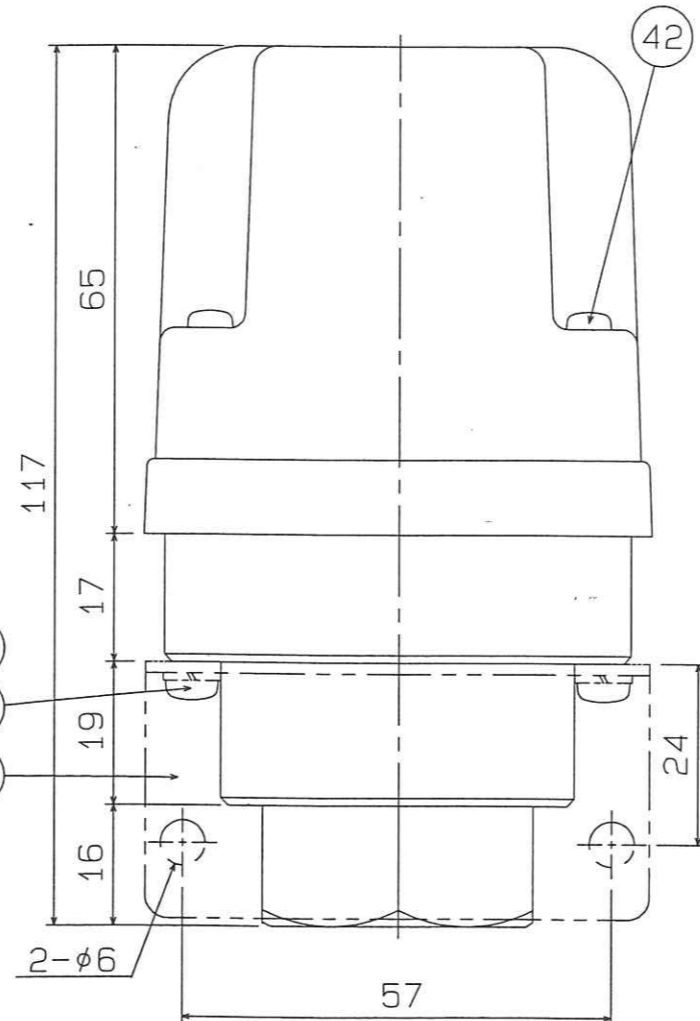
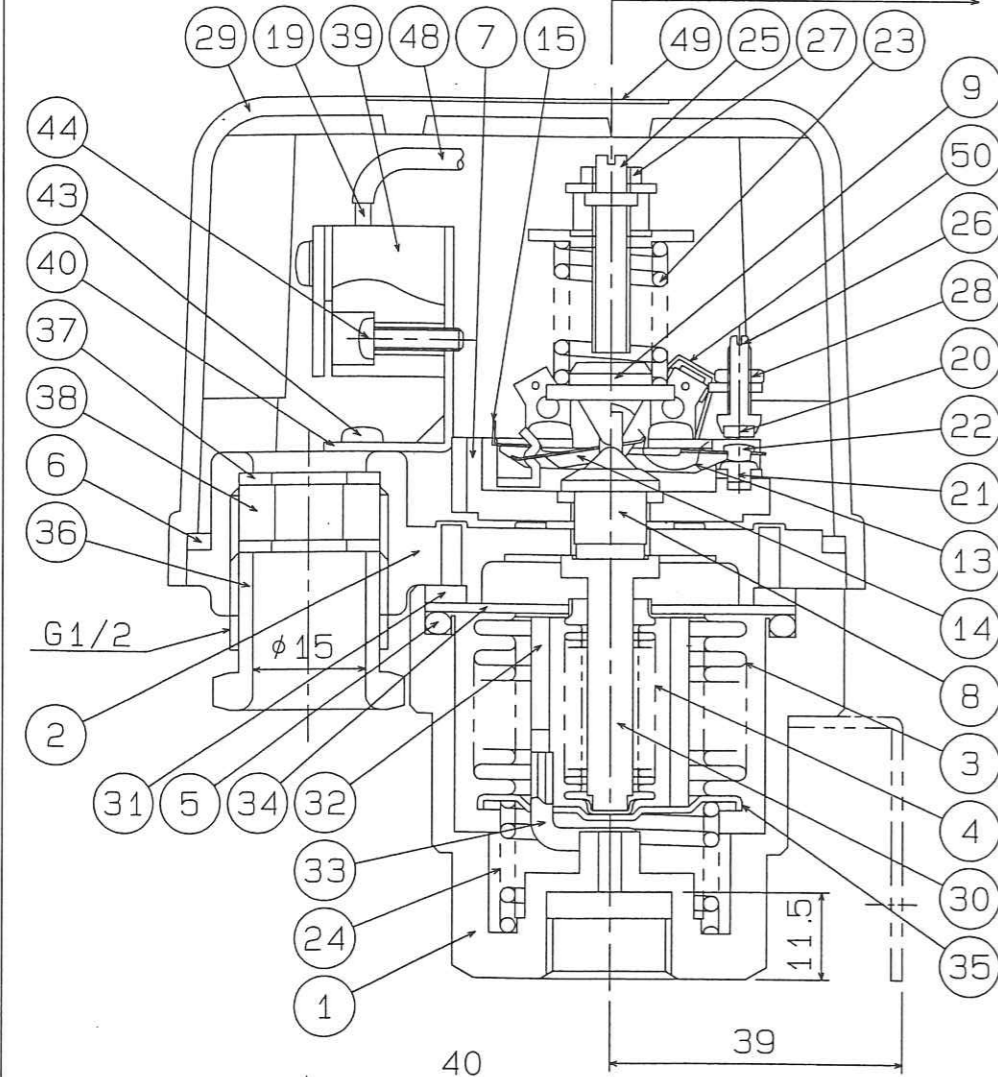
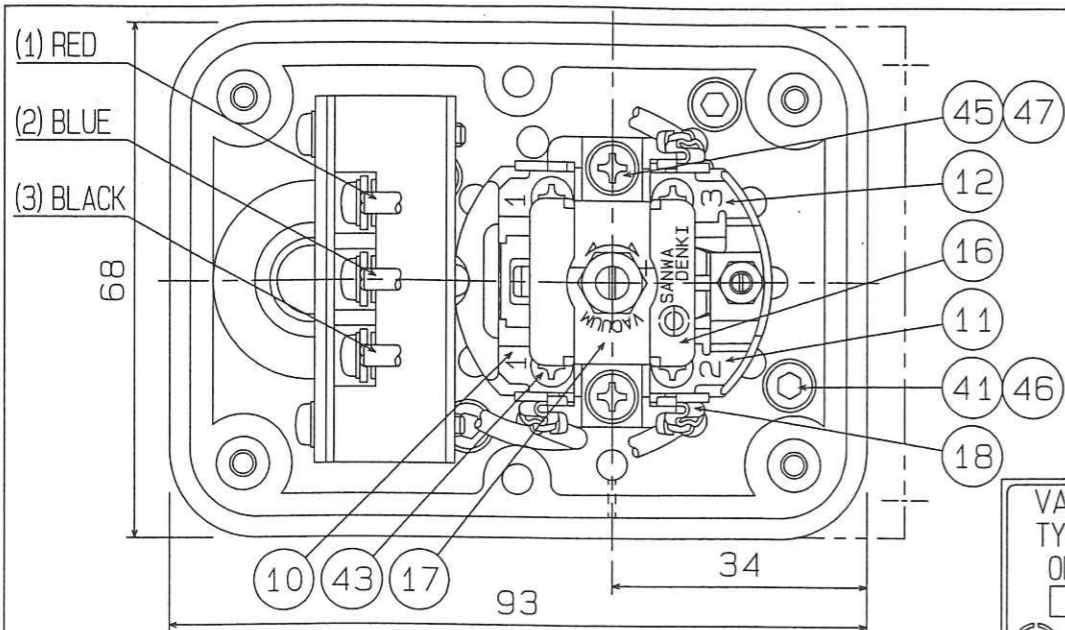
# 見 積 図

28年12月0/日出図  
株式会社 三和電機製作所

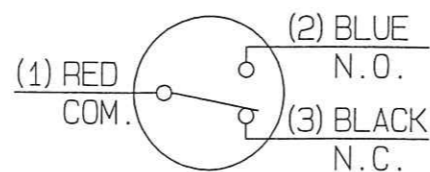
## SPECIFICATION

1. ACTUAL LOAD	AC	V	A
2. OPERATION PRESSURE (at23±5℃)	OFF	kPa	
	ON	kPa	
3. FLUID			
4. WORKING TEMPERATURE	℃		
5. WORKING PRESSURE	kPa		
6. PROOF PRESSURE	300 kPa		
7. PRESSURE PORT			
8. WEIGHT	1050 g		

VACUUM SWITCH  
 TYPE SVS-7 [S]  
 ON(kPa) OFF(kPa)  
 AC 250/125V 2.5/5A  
 SANWA DENKI CO., LTD.



CONTACT SYMBOL



53	SPRING WASHER	SUS305	2	M4 OPTION
52	MACHINE SCREW	SUS305	2	M4X8 OPTION
51	BRACKET B	SUS304	1	OPTION
50	INSULATED TUBE	PVC	3	
49	NAME PLATE	A5052	1	
48	LEADING WIRE		3	VSF 0.75mm <sup>2</sup>
47	SPRING WASHER	SUS305	2	M3.5
46	SPRING WASHER	SUS305	4	M4
45	TAPTITE S	SUS305	2	3.5X28
44	MACHINE SCREW	SUS305	2	M3X12
43	TAPPING SCREW	SUS305	6	3X8
42	MACHINE SCREW	SUS305	4	M3.5X25
41	CAP SCREW	SUS305	4	M4X12
40	BRACKET A	SUS304	1	
39	TERMINAL BLOCK		1	
38	BUSHING RUBBER	NR	1	15C
37	BUSHING RING	SUS304	2	15C
36	BUSHING CAP	C3604	1	15C Cr PLATING
35	BELLOWS FLANGE B	SUS316	1	
34	BELLOWS FLANGE A	SUS316	1	
33	SUCTION PIPE	SUS316	1	
32	BELLOWS STOPPER	SUS316	1	
31	BELLOWS FIXED RING	C3604	1	
30	ROD	A5056	1	
29	COVER	ADC12	1	BLACK PAINTING
28	LOCK NUT B	C3604	1	M3 Ni PLATING
27	LOCK NUT A	C3604	1	M5 Ni PLATING
26	ADJUSTING SCREW B	C3604	1	
25	ADJUSTING SCREW A	SWRM	1	Ni PLATING
24	COILED SPRING B	SUS316	1	
23	COILED SPRING A	SUS304	1	
22	MOVABLE CONTACT	Ag	1	
21	CONTACT B	Ag	1	BYMETACT
20	CONTACT A	Ag	1	
19	TERMINAL D	C1100	3	Sn PLATING
18	TERMINAL G	C2680	3	SPOT WELD
17	ARCH	SUS304	1	
16	SPRING SUPPORT A	SUS304	1	
15	MOVABLE CONTACT PLATE	C5191	1	Ni PLATING
14	REVER	C5191	1	Ni PLATING
13	TOGGLE SPRING	C5210	1	
12	TERMINAL PLATE 3	C2801	1	Ni PLATING
11	TERMINAL PLATE 2	C2801	1	Ni PLATING
10	TERMINAL PLATE 1	C2801	1	Ni PLATING
9	SPRING SUPPORT B	PM-HH	1	
8	PUSH ROD	PM-HH	1	
7	SWITCH BODY	PM-HH	1	
6	COVER GASKET	NBR	1	
5	O-RING	FPM	1	P42
4	BELLOWS B	SUS316	1	
3	BELLOWS A	SUS316	1	
2	BASE	ZDC2	1	BLACK PAINTING
1	BELLOWS HOUSING	SUS316	1	

		APPROVED BY	CHEKED BY	DESIGNED BY	SCALE	MODEL
		<i>N. Takeuchi</i>	<i>M. Sakae</i>	<i>M. Hirakawa</i>	1/1	SVS-7S
NO.	DATE	ALTERATION	DATE	DATE	TITLE	
	00. 2. 16		00. 2. 16	00. 2. 16	VACUUM SWITCH	
<b>SANWA DENKI CO., LTD.</b>					DRAWING NO. 57779	
TOKYO JAPAN						