

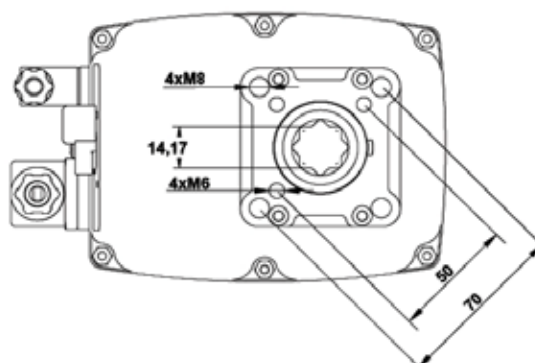
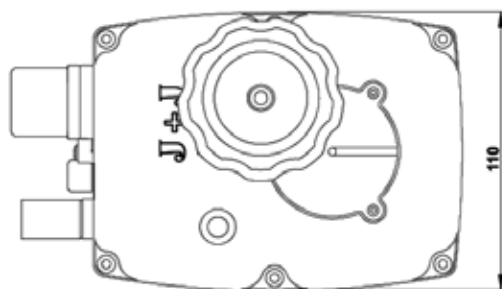
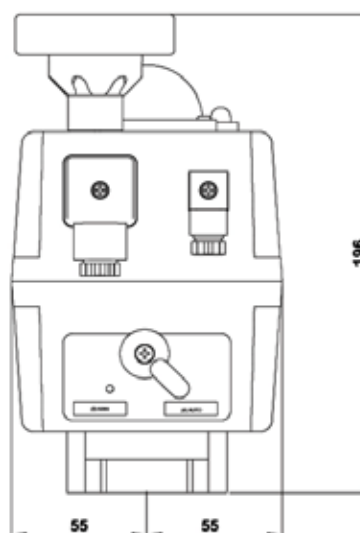
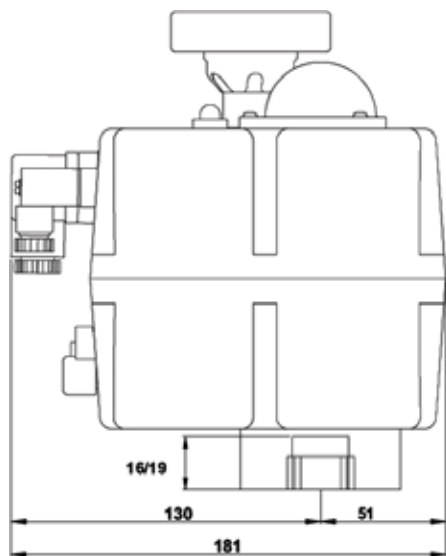
# J3C S55

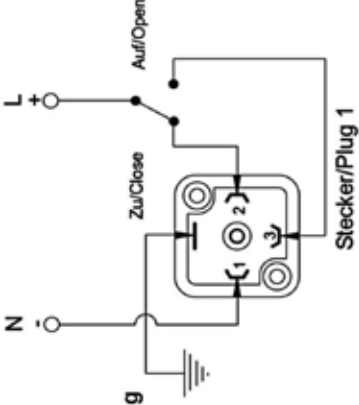
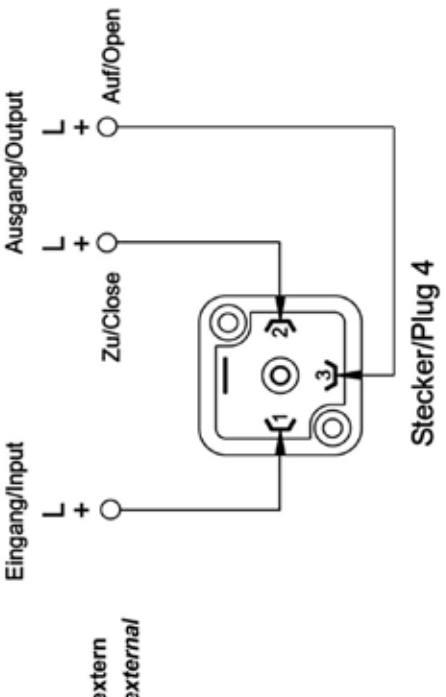
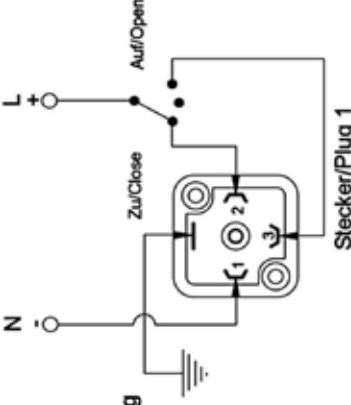
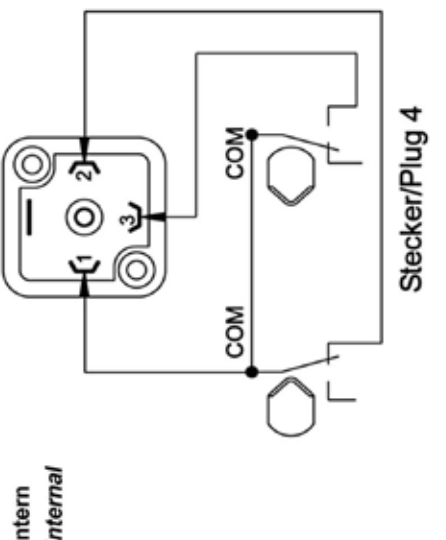
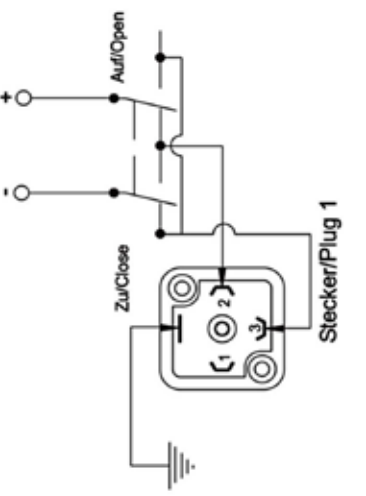
IP67

Compact actuator for regulation and control of valves. Equipped with extra limit switches (ELS), handwheel, dome. Valve-Interface according ISO 5211/DIN 3337, connectors, heater, electronic limiter

## technical data

<b>voltage range</b>	24 - 240 V AC/DC (50/60 Hz)
<b>current consumption</b>	0,1 A - 1,8 A
<b>operating time s/90°</b>	13 s ± 10%
<b>heater</b>	3,5 W
<b>break torque</b>	<b>60 Nm</b>
<b>operational torque</b>	<b>55 Nm</b>
<b>duty rating [ED]</b>	75%
<b>protection class</b>	IP67
<b>temperature range</b>	-20 °C to 70 °C
<b>flange</b>	F05/F07
<b>double square</b>	14 mm, 17 mm
<b>connectors</b>	EN175301-803
<b>housing</b>	polyamide (PA6)
<b>ELS</b>	5 A 125 V AC / 3 A 250 V AC
<b>optional features</b>	failsafe battery pack (BSR), DPS digital positioning system, potentiometer, 3 positions actuator, 4 positions actuator, with 2 phases selection - optional NO or NC



	Potentialfreie Endlagen / potentialfree limit switches
<p><b>Power Standard</b></p> <p>AC/DC 2 Punkt Regelung 2 point control</p>  <p>Stecker/Plug 1</p>	 <p>extern external</p> <p>Eingang/Input</p> <p>Ausgang/Output</p> <p>Stecker/Plug 4</p>
<p>AC/DC 3 Punkt Regelung 3 point control</p>  <p>Stecker/Plug 1</p>	 <p>intern internal</p> <p>Stecker/Plug 4</p>
<p>DC 2 Draht 2 wires</p>  <p>Stecker/Plug 1</p>	