

Caractéristiques nominales

Nominal Data

V	Un	Hz	I	Wa	Cosφ	RPM	C	Uc	Remarque	Etiquette
HS	230	50	0,83	190,0	0,99	2 700	6,0	400	Free air flow	☑
HS	230	60	1,13	259,0	0,99	3 030	6,0	400	Free air flow	☑

Echauffement sous 110% de Un à 50Hz : 76°K

Temperature Variation 110% de Un à 60Hz : 66°K

Résistances à froid (t° à 20°C), tolérances à 7%

Winding Temperature Cold (tolerances 7%)

Rpp	Rpa
21,5	29,5

Diélectrique (KV~) : 1,5

Dielectric Strength

Indice de Protection : IP44

Protection Level

Avec trous de condensats

Condensat Drain Holes

Protection thermique : T150° C Réarmement automatique

Thermally protected T150° C Automatic reset

Température d'utilisation : 50 Hz (-20°C mini +60°C maxi)

Ambiant Temperature 60 Hz (-20°C mini +70°C maxi)

Classe isolation : F

Insulation Class

Sens de Rotation : S-H = CW

Direction of Rotation

Equilibrage de l'ensemble : G2.5

Balance Level

Poids (Kg) : 3,40

Weight

Construction Mécanique : 2 roulements à billes (2 ball bearings) 608ZZ + 6000ZZ

Bearing Type

Finition: Black painted rotor (Rotor peint noir)

Finish Galvanised steel impeller (Turbine tole acier galvanisé)

Produit construit selon les normes EN 60335-1 et la directive RoHS 2011/65/CE
IP selon EN60034-5 à vérifier selon position et installation

*The product is manufactured in accordance with EN 60335-1 and RoHS 2011/65/EC directive
IP depending on installation and position as per EN60034-5*

Eléments spécifiques :

Special Features

Dimension C=102 (+/-1) mm impeller (Cote C=102 (+-1)mm turbine)

Précautions d'utilisation :

Limiting Conditions of Operation

Sortie de câble : Voir spécifications sur le plan d'ensemble

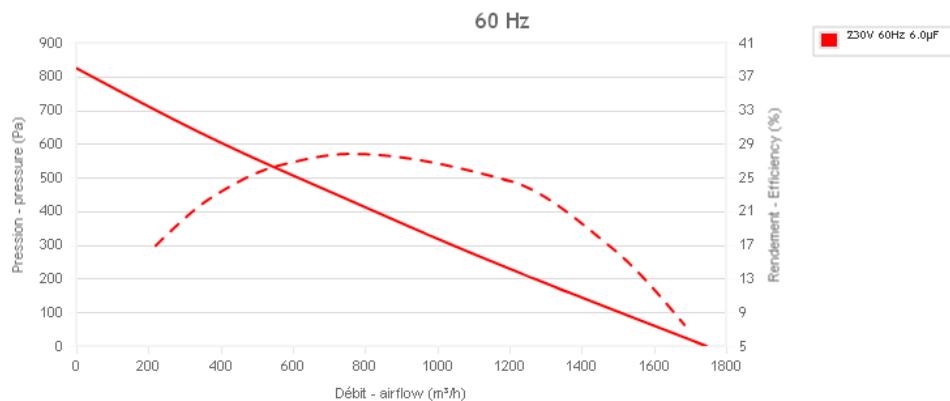
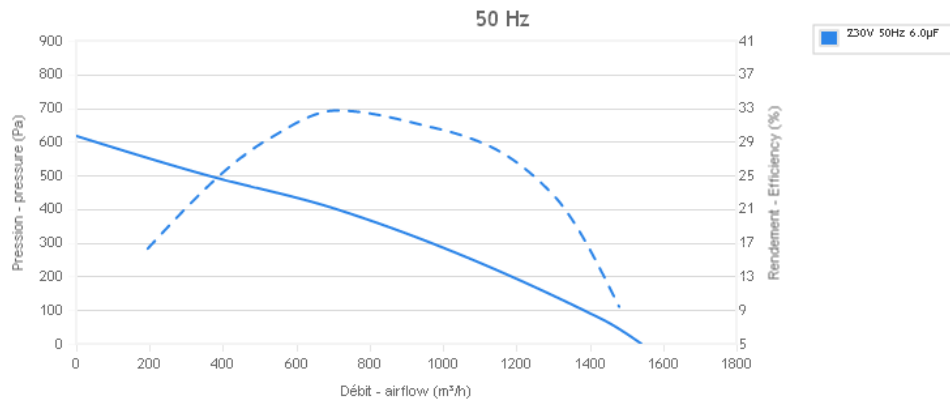
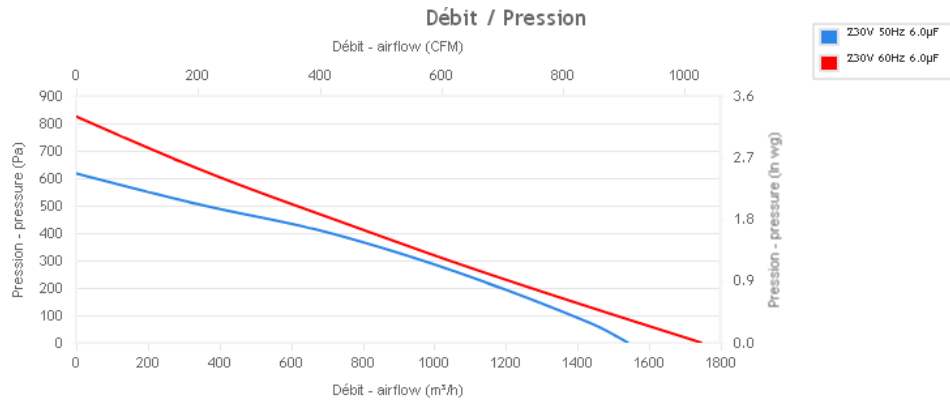
Cable details: length, terminations,...

Cable (3+T) 0,5mm² PVC length out of motor=500 (+/-20/) mm + 4languettes 6,35x0,8mm males

REF:0010375201 Inarca ou equivalent

a	18/04/2013	IB	Fiche technique conforme à la directive ErP
Indice	Date	Auteur	Modification+Mise à jour
<i>Issue</i>	<i>Date</i>	<i>DRN</i>	<i>Modifications</i>
Client : <i>Customer</i>		Référence du client : <i>Referency</i>	
N°OEP : 10135		N° de l'essai : LD36Fa <i>Test Number</i>	N° du Bobinage : F16 <i>Winding Number</i>
Désignation	2RRE45 250x56R		
Définition	A	rifuges à réaction avec moteur asynchrone monophasé	
	B	centrifugal fans with single phase asynchronous motor	
Fiche Technique <i>Technical Data Sheet</i>			N° K47-A0 p

Edited by Fo
 Copyright (c)
 For Evaluation



CE Pour usage de maintenance seulement en Europe au sens de la directive EU 2009/125/EC

CE For service use only in Europe according ErP directive EU 2009/125/EC

Conditions de mesure / Measurement setup

16114 M07-457 PAVILLON Dia Int.164 Ext.255 Galva

Manuel d'utilisation et de recyclage

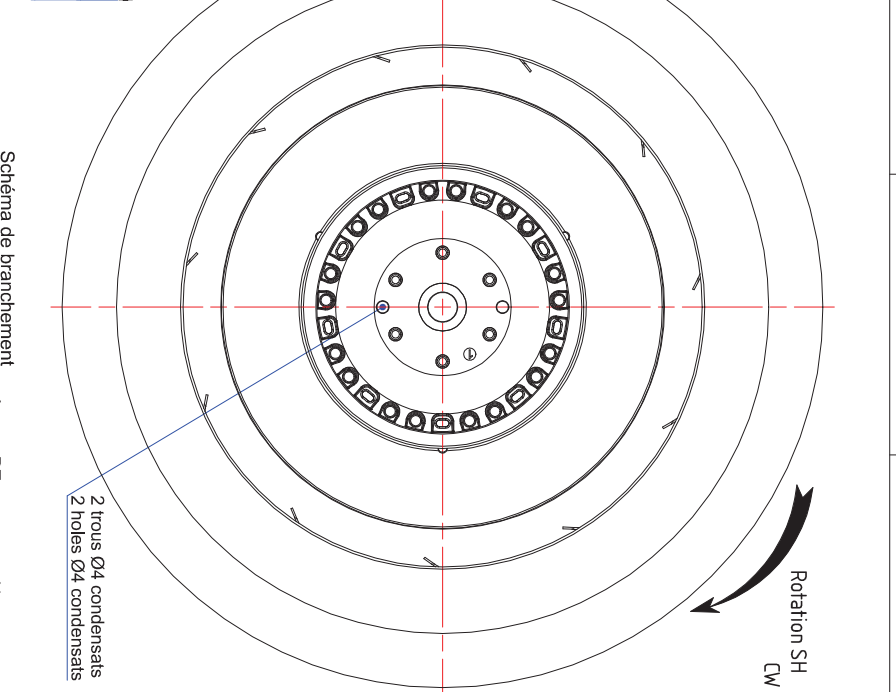
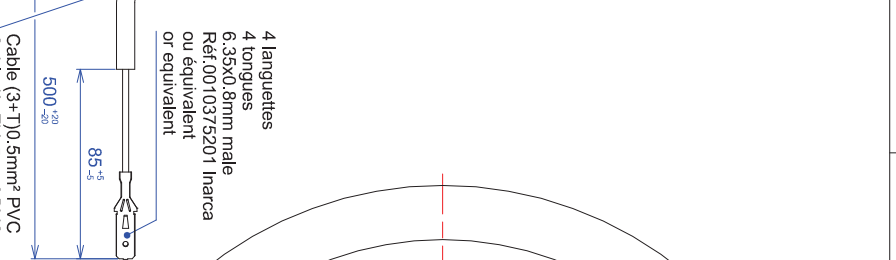
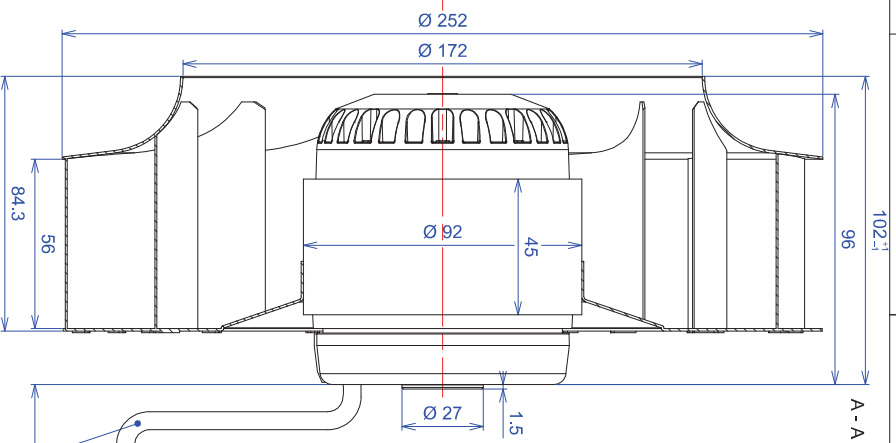
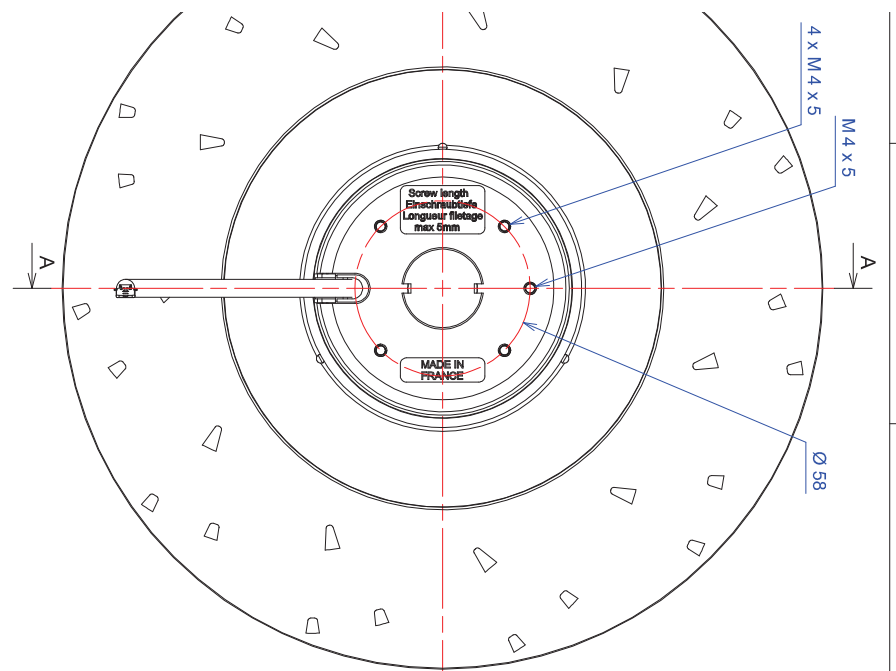
>> <http://www.ecofit.com/site/normes>

Operating and recycling manual

>> <http://www.ecofit.com/anglais/normes>

a	18/04/2013	IB	Fiche technique conforme à la directive ErP
Indice	Date	Auteur	Modification+Mise à jour
Issue	Date	DRN	Modifications
Désignation		2RRE45 250x56R	
Fiche Technique Technical Data Sheet			 N° K47-A0 p

Edited by Fo
 Copyright (c)
 For Evaluation



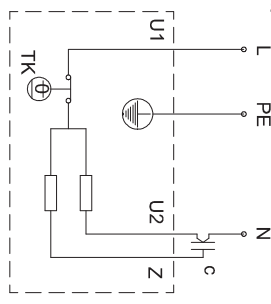
Turbine 250x56R R67F1 tôle acier galvanisée
 Galvanised steel Impeller 250x56R R67F1

Plaque signalétique
 Label position

Rotor peint noir
 Black painted rotor

U1 = Bleu Blue
 U2 = Noir Black
 Z = Brun Brown
 PE = Vert/jaune Green/yellow

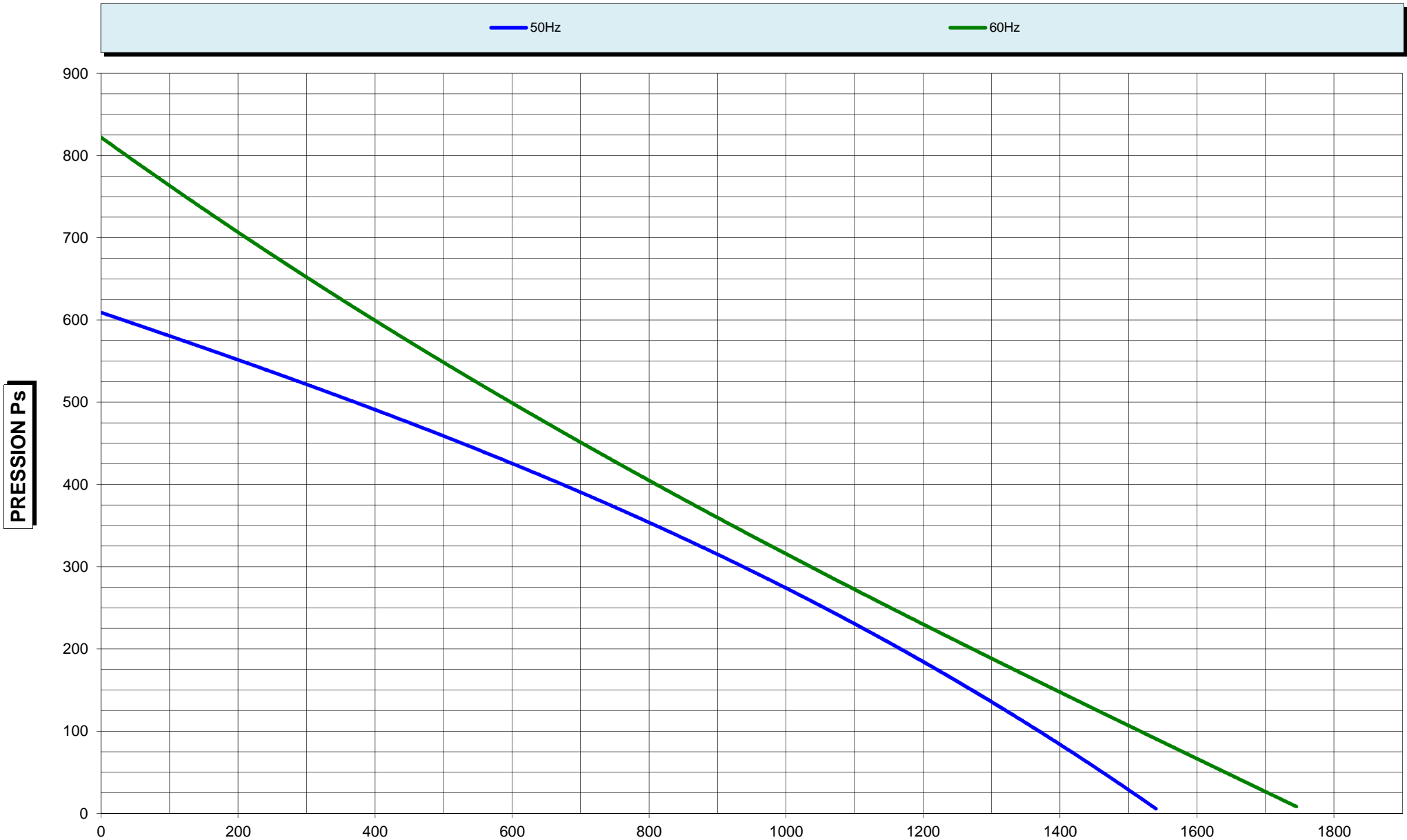
Schéma de branchement
 Wiring diagram



a	07/05/2013	Fiche technique conforme à la directive ErP	rd
0	23/04/2012	Création du dossier technique	rd
INDICE	DATE	LIBELLÉ	AUTEUR
Dessiné par : rd		Client :	rd
Ech. 0,800		Ref. client : -	
Form. : A2	Foto : 1/1	Verifié par :	Protection :
23/04/2012		Fiche technique / Data sheet EVEC.025	
Tolérances générales : ±1mm			

BACKWARD CURVED CENTRIFUGAL FAN
 MOTO VENTILATEUR
 2RRE45-250x56R
 TopSolid 6
 N° K47-A0 p
 ECOFIT & ETM PRODUCTS
 REPRODUKTION ODER VERWIRTLICHUNG VON TECHNISCHEM ZEICHNUNGSMATERIAL IST NACH DER DZ 90/100/101/102/103/104/105/106/107/108/109/110/111/112/113/114/115/116/117/118/119/120/121/122/123/124/125/126/127/128/129/130/131/132/133/134/135/136/137/138/139/140/141/142/143/144/145/146/147/148/149/150/151/152/153/154/155/156/157/158/159/160/161/162/163/164/165/166/167/168/169/170/171/172/173/174/175/176/177/178/179/180/181/182/183/184/185/186/187/188/189/190/191/192/193/194/195/196/197/198/199/200/201/202/203/204/205/206/207/208/209/210/211/212/213/214/215/216/217/218/219/220/221/222/223/224/225/226/227/228/229/230/231/232/233/234/235/236/237/238/239/240/241/242/243/244/245/246/247/248/249/250/251/252/253/254/255/256/257/258/259/260/261/262/263/264/265/266/267/268/269/270/271/272/273/274/275/276/277/278/279/280/281/282/283/284/285/286/287/288/289/290/291/292/293/294/295/296/297/298/299/300/301/302/303/304/305/306/307/308/309/310/311/312/313/314/315/316/317/318/319/320/321/322/323/324/325/326/327/328/329/330/331/332/333/334/335/336/337/338/339/340/341/342/343/344/345/346/347/348/349/350/351/352/353/354/355/356/357/358/359/360/361/362/363/364/365/366/367/368/369/370/371/372/373/374/375/376/377/378/379/380/381/382/383/384/385/386/387/388/389/390/391/392/393/394/395/396/397/398/399/400/401/402/403/404/405/406/407/408/409/410/411/412/413/414/415/416/417/418/419/420/421/422/423/424/425/426/427/428/429/430/431/432/433/434/435/436/437/438/439/440/441/442/443/444/445/446/447/448/449/450/451/452/453/454/455/456/457/458/459/460/461/462/463/464/465/466/467/468/469/470/471/472/473/474/475/476/477/478/479/480/481/482/483/484/485/486/487/488/489/490/491/492/493/494/495/496/497/498/499/500/501/502/503/504/505/506/507/508/509/510/511/512/513/514/515/516/517/518/519/520/521/522/523/524/525/526/527/528/529/530/531/532/533/534/535/536/537/538/539/540/541/542/543/544/545/546/547/548/549/550/551/552/553/554/555/556/557/558/559/560/561/562/563/564/565/566/567/568/569/570/571/572/573/574/575/576/577/578/579/580/581/582/583/584/585/586/587/588/589/590/591/592/593/594/595/596/597/598/599/600/601/602/603/604/605/606/607/608/609/610/611/612/613/614/615/616/617/618/619/620/621/622/623/624/625/626/627/628/629/630/631/632/633/634/635/636/637/638/639/640/641/642/643/644/645/646/647/648/649/650/651/652/653/654/655/656/657/658/659/660/661/662/663/664/665/666/667/668/669/670/671/672/673/674/675/676/677/678/679/680/681/682/683/684/685/686/687/688/689/690/691/692/693/694/695/696/697/698/699/700/701/702/703/704/705/706/707/708/709/710/711/712/713/714/715/716/717/718/719/720/721/722/723/724/725/726/727/728/729/730/731/732/733/734/735/736/737/738/739/740/741/742/743/744/745/746/747/748/749/750/751/752/753/754/755/756/757/758/759/760/761/762/763/764/765/766/767/768/769/770/771/772/773/774/775/776/777/778/779/780/781/782/783/784/785/786/787/788/789/790/791/792/793/794/795/796/797/798/799/800/801/802/803/804/805/806/807/808/809/810/811/812/813/814/815/816/817/818/819/820/821/822/823/824/825/826/827/828/829/830/831/832/833/834/835/836/837/838/839/840/841/842/843/844/845/846/847/848/849/850/851/852/853/854/855/856/857/858/859/860/861/862/863/864/865/866/867/868/869/870/871/872/873/874/875/876/877/878/879/880/881/882/883/884/885/886/887/888/889/890/891/892/893/894/895/896/897/898/899/900/901/902/903/904/905/906/907/908/909/910/911/912/913/914/915/916/917/918/919/920/921/922/923/924/925/926/927/928/929/930/931/932/933/934/935/936/937/938/939/940/941/942/943/944/945/946/947/948/949/950/951/952/953/954/955/956/957/958/959/960/961/962/963/964/965/966/967/968/969/970/971/972/973/974/975/976/977/978/979/980/981/982/983/984/985/986/987/988/989/990/991/992/993/994/995/996/997/998/999/1000

COURBE DEBIT/PRESSION
K47-A0 2RRE45 250x56R 230V 50/60Hz 6μF



PRESSION Ps

DEBITm³/h

Edited by For
Copyright (c)
For Evaluation