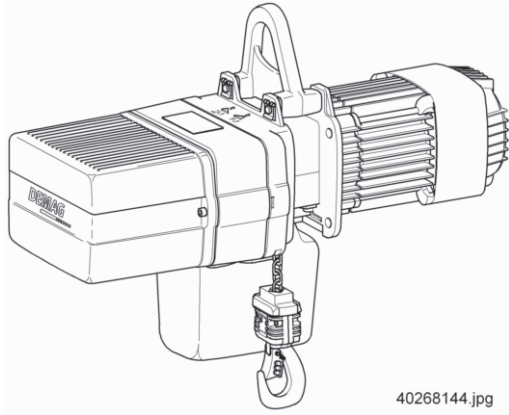


# Component parts list

Demag Chain Hoist DKUN 10

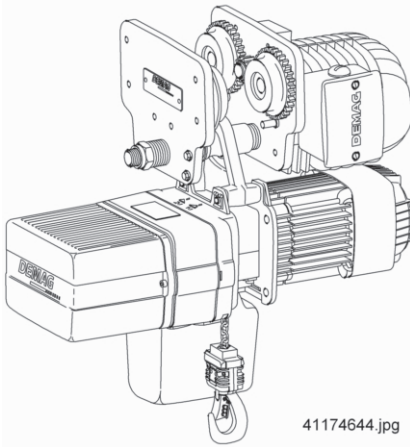
# Contents



	Page
Main hoist motor KMK 90 B 2	4
# Main/creep hoist motor KMK 90 B 2/8	4
# Main hoist motor KMK 100 B 2	5
# Main/creep hoist motor KMK 100 B 2/8	6
# Main/creep hoist motor KMK 100 B 2/12	7
# Helical gearbox, 2-stages	8
# Hook with fittings, 1/1 reeving	12
Bottom block, 2/1 reeving	13
 <b>Electrical components</b>	
Contact control	14
# Limit switch for the upper and lower hook position	
1/1 reeving	16
2/1 reeving	17
Reinforced PG16 cable sleeve insert	18
Strain gauge carrier link ZMS 1250 - 1/1	40
Strain gauge carrier link ZMS 2500 - 2/1	41

---

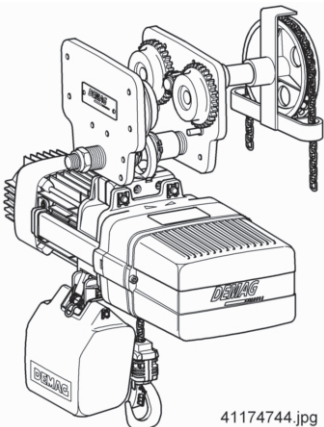
## Standard headroom monorail hoist



RU 6 DK trolley	21
RU 11 DK trolley	22
EU 11 DK trolley	23
RU 22 DK trolley	24
EU 22 DK trolley	25
Travel drive PKF 13/3 and 13/6	26
Drop stop fittings RUDK / EUDK	42

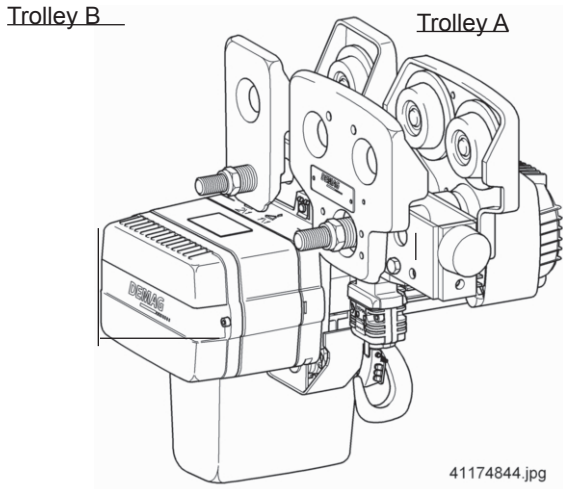
---

## Standard headroom monorail hoist

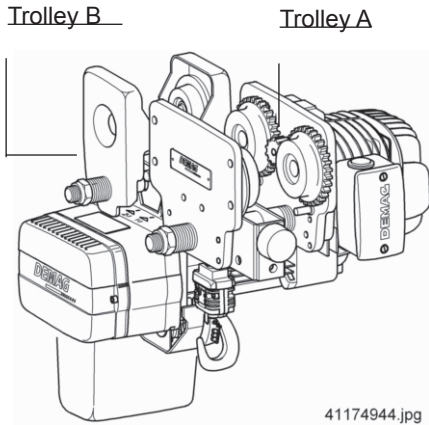


Hand chain drive for HU 11 DK/HU 22 DK trolley	20
--	----

# Contents



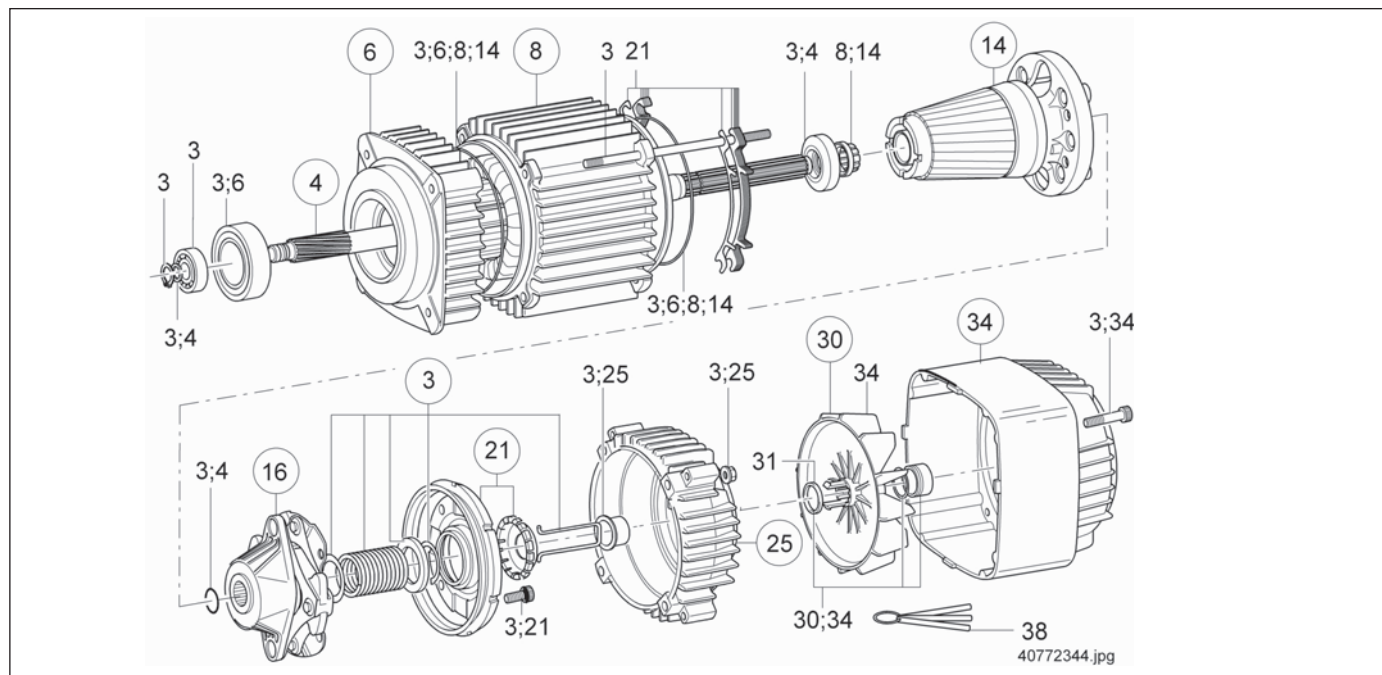
	Page
Bridge	28
<b>RKDK low-headroom monorail hoist</b>	
Trolley size 11 Flange width 91 - 300 mm (3.58 - 11.81 in)	30
Trolley size 6/2 Flange width 91 - 300 mm (3.58 - 11.81 in)	31
Trolley size 22 Flange width 82 - 300 mm (3.23 - 11.81 in)	32
Trolley size 11/2 Flange width 82 - 300 mm (3.23 - 11.81 in)	33
Chain guide	
Fittings for RKDK low-headroom monorail hoist	11



	Page
Bridge	28
<b>EKDK low-headroom monorail hoist</b>	
Trolley size 11 Flange width 91 - 143 mm (3.58 - 5.63 in)	34
Trolley size 6/2 Flange width 91 - 143 mm (3.58 - 5.63 in)	35
Trolley size 11 Flange width 144 - 300 mm (5.67 - 11.81 in)	36
Trolley size 6/2 Flange width 144 - 300 mm (5.67 - 11.81 in)	37
Trolley size 22 Flange width 82 - 300 mm (3.23 - 11.81 in)	38
Trolley size 11/2 Flange width 82 - 300 mm (3.23 - 11.81 in)	39
Chain guide	
Fittings for EKDK low-headroom monorail hoist	11

# Main hoist motor KMK 90 B 2

## Main/creep hoist motor KMK 90 B 2/8



Item no.	Part no.	Quantity	Designation	Material	Standard
	3	1	Small parts set KMK 90B2		
	4	1	Shaft KMK set		
	6	1	Set intermediate flange KM90B		
	8	3)	Stator set KMK 90B2		1)
	8	3)	Stator set KMK 90B 2/8		1)
	14	1	Rotor set KMH 90B		1) B 2, B 2/8
	16	1	Engaging element KM 90		
	21	1	Brake lining support set KM90		
	25	1	End shield set, brake side KMK90		
	30	1	Fan set KM 90		
#	31		Flat seal		2)
	34	1	Cover and fan set		c/w item 30
	38	3	Feeler gauge set		1)

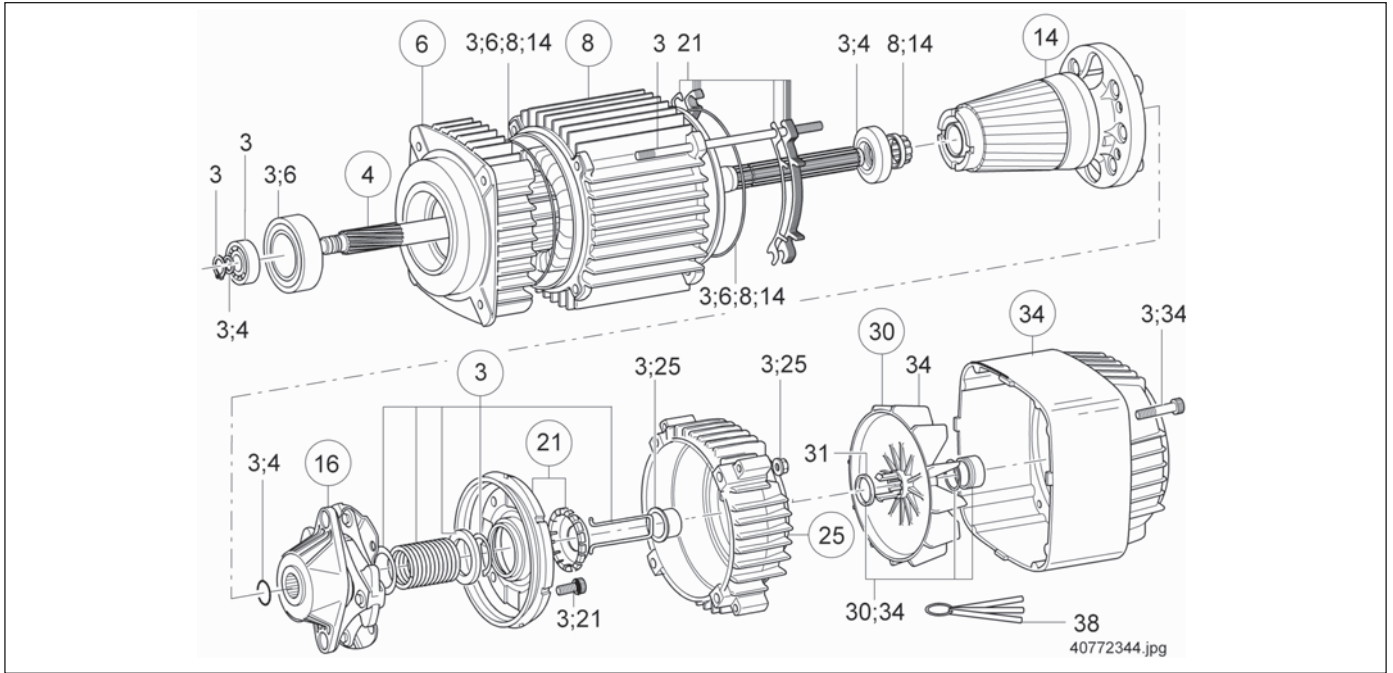
22251001.tbl

1) A feeler gauge set (part no. 38) must also be ordered to adjust the air gap (adjust with feeler gauge no. 2, part no. 38).

# 2) also included in gearbox seal set (item no. 7). See page 9.

3) On request

# Main hoist motor KMK 100 B 2



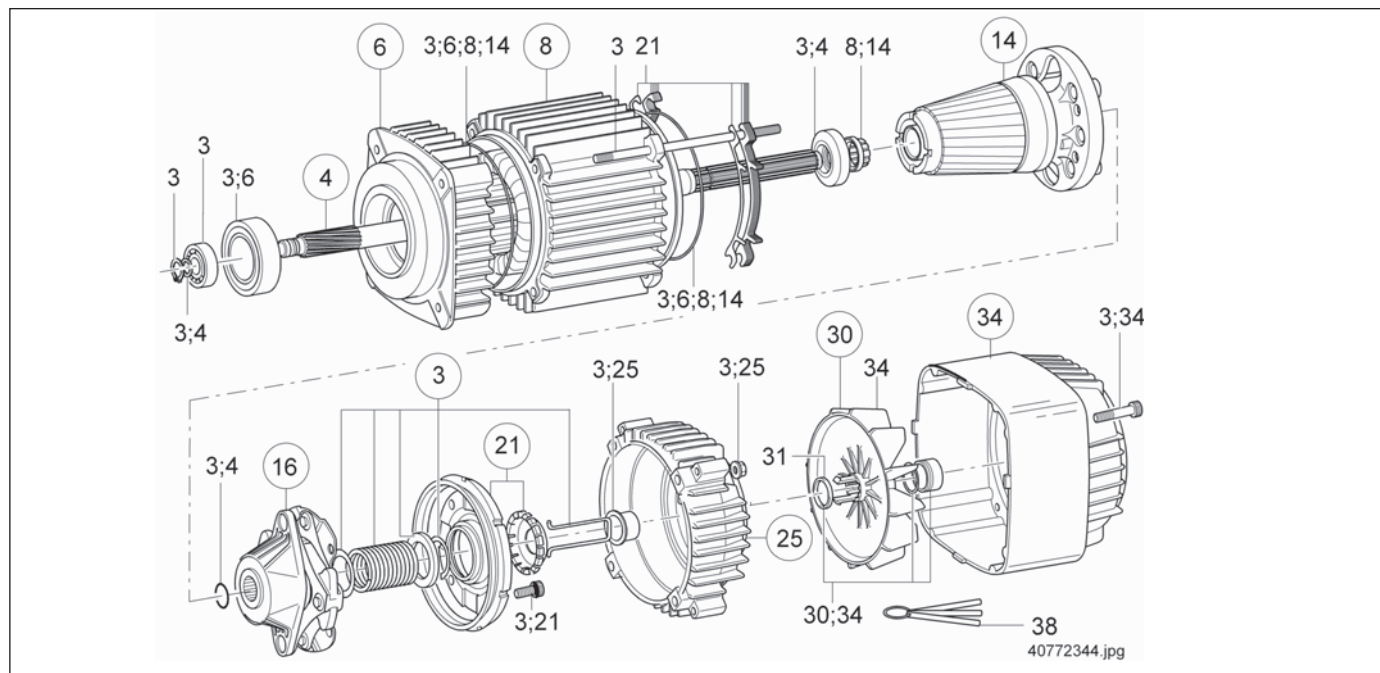
Item no.	Part no.	Quantity	Designation	Material	Standard
	3	1	Small parts set KMK 100		
	4	1	Shaft coupling DK10/16		
	6	1	Set intermediate flange KM100B2		
	8	3)	Stator set KMK 100B2		1)
	14	1	Rotor set KMH 100B		1)
#	16	1	Engaging element KM 100		
	21	1	Brake lining support KMK 100		
	25	1	End shield set, brake side KM100		
	30	1	Fan set KM 100		
#	31		Flat seal		2)
	34	1	Cover and fan set		c/w item 30
	38	3	Feeler gauge set		1)

22251002.tbl

22910049.indd/210111

- 1) A feeler gauge set (part no. 38) must also be ordered to adjust the air gap (adjust with feeler gauge no. 2, part no. 38).  
 # 2) also included in gearbox seal set (item no. 7). See page 9.  
 3) On request

# Main/creep hoist motor KMK 100 B 2/8



Item no.	Part no.	Quantity	Designation	Material	Standard
	3	1	Small parts set KMK 100B2/8		
	4	1	Shaft coupling DK10/16		
	6	1	Set intermediate flange KM100B2		
	8	3)	Stator KMK 100B2/8		1)
	14	1	Rotor set KMH 100B2/8		1)
#	16	1	Engaging element KM 100		
	21	1	Brake lining support KMK 100		
	25	1	End shield set, brake side KM100		
	30	1	Fan set KM 100		
#	31		Flat seal		2)
	34	1	Cover and fan set		c/w item 30
	38	3	Feeler gauge set		1)

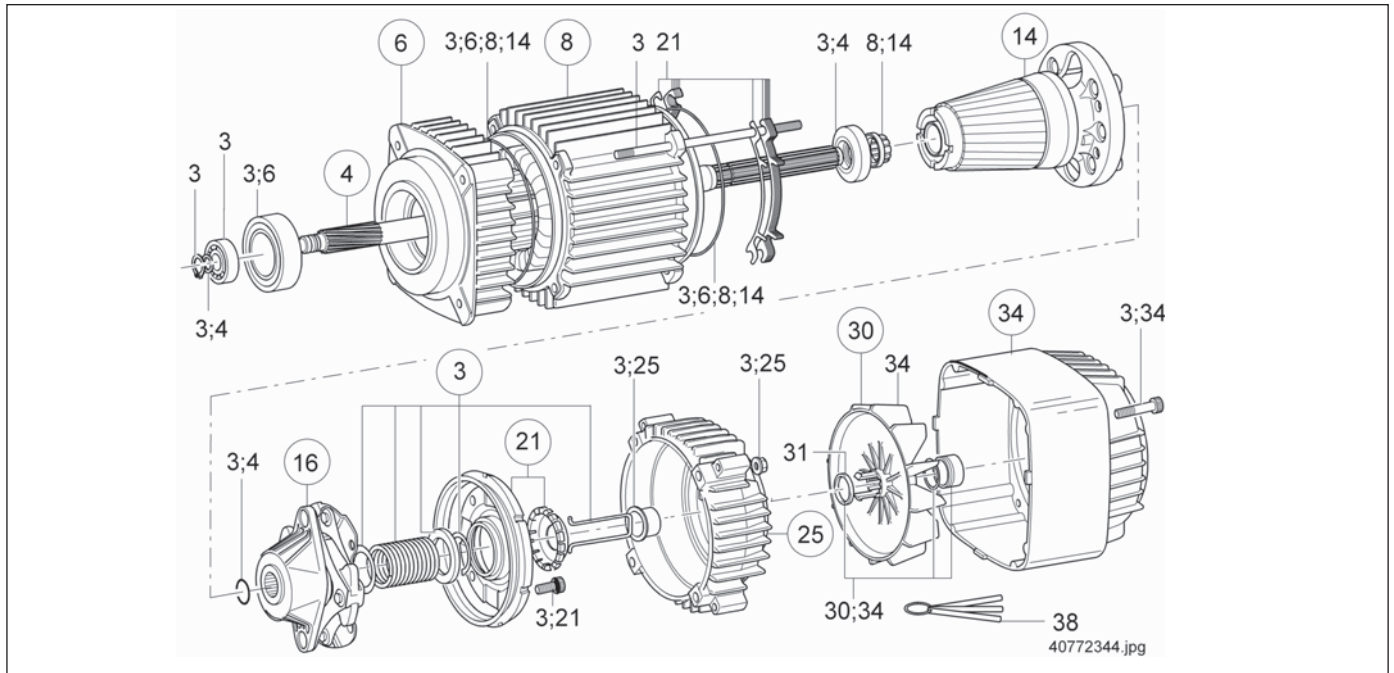
22251003.tbl

1) A feeler gauge set (part no. 38) must also be ordered to adjust the air gap (adjust with feeler gauge no. 2, part no. 38).

# 2) also included in gearbox seal set (item no. 7). See page 9.

3) On request

# Main/creep hoist motor KMK 100 B 2/12



Item no.	Part no.	Quantity	Designation	Material	Standard
	3	1	Small parts set KMK 100B2/12		
	4	1	Shaft coupling DK10/16		
	6	1	Set intermediate flange KM100B2/12		
	8	3)	Stator KMK 100B2/12		1)
	14	1	Rotor set KMH 100B		1)
#	16	1	Engaging element KM 100		
	21	1	Brake lining support KMK 100		
	25	1	End shield set, brake side KM100		
	30	1	Fan set KM 100		
#	31		Flat seal		2)
	34	1	Cover and fan set		c/w item 30
	38	3	Feeler gauge set		1)

22251004.tbl

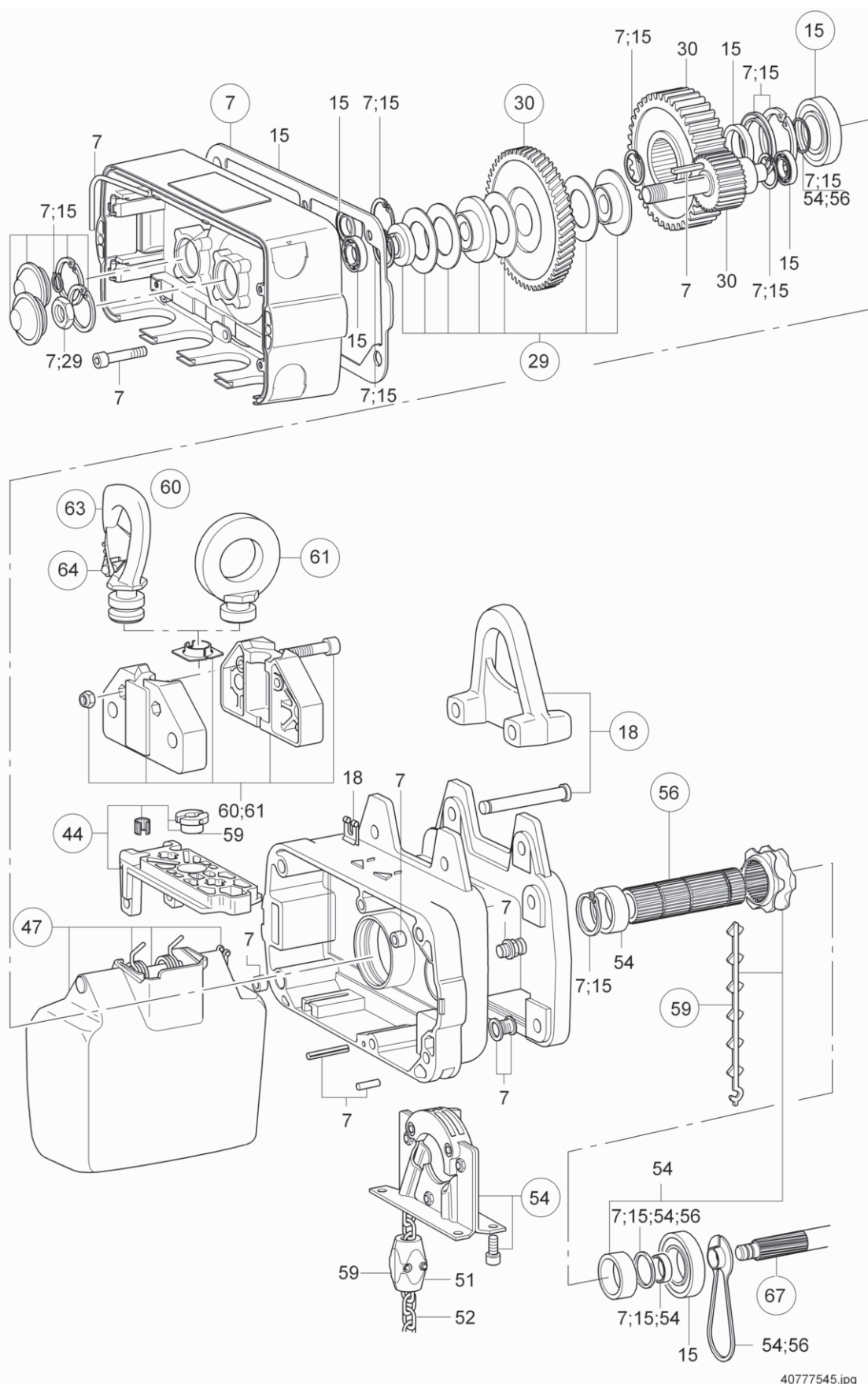
1) A feeler gauge set (part no. 38) must also be ordered to adjust the air gap (adjust with feeler gauge no. 2, part no. 38).

# 2) also included in gearbox seal set (item no. 7). See page 9.

3) On request

# Helical gearbox, 2-stages

Helical gearbox, combination with corresponding motor for one/two hoist speeds



40777545.jpg



# Helical gearbox, 2-stages

## Helical gearbox, combination with corresponding motor for one/two hoist speeds

Item no.	Part no.	Quantity	Designation	Material	Standard
7	83713933	1	Gearbox seal		1)
15	83714033	2	Bearing set DK10/16		
18	83770433	1	Supporting eye set DK10/16		
18	83770233	1	Supporting eye set DK10		
29	83726033	1	Coupling set DK10/16		
			<b>Gearred parts set for motor KMK 100 B 2/12</b>		
30	83797333	1	Gearred parts set DK10 V3		500, V3, i = 36.2
			<b>Gearred parts set for motor KMK 90 B 2</b>		
30	83797333	1	Gearred parts set DK10 V3		500, V3, i = 36.2
			<b>Gearred parts set for motor KMK 90 B 2/8</b>		
30	83797433	1	Gearred parts set DK10 V2		630, V2, i = 58.8
			<b>Gearred parts set for motor KMK 100 B 2/8</b>		
30	83797433	1	Gearred parts set DK10 V2		1000, 800, V2, i = 58.8
			<b>Gearred parts set for motor KMK 90 B 2</b>		
30	83797433	1	Gearred parts set DK10 V2		800, 630, V2, i = 58.8
			<b>Gearred parts set for motor KMK 100 B 2</b>		
30	83797433	1	Gearred parts set DK10 V2		1000, V2, i = 58.8
			<b>Gearred parts set for motor KMK 90 B 2/8</b>		
30	83797533	1	Gearred parts set DK10 V1		1000, 800, 630, V1, i = 79.9
			<b>Gearred parts set for motor KMK 100 B 2/8</b>		
30	83797533	1	Gearred parts set DK10 V1		1250, V1, i = 79.9
			<b>Gearred parts set for motor KMK 90 B 2</b>		
30	83797533	1	Gearred parts set DK10 V1		1250, 1000, 800, 630, V1, i = 79.9
44	83729433	1	Base plate chain guide DK10		
47	83806333	1	Chain collector box DK 10-20 size 4		max. 8 m (26 feet)
47	83806533	1	Chain collector box DK 10-20 size 5		max. 20 m (65 feet)
51	83708344	1	Stop piece DK10		2)
# 52	75250433	1	Chain set DK10/PK5 L=3.5m (11.48 ft)		
# 52	75228733	1	Chain set DK10/PK 5L=4.0m (13.12 ft)		
# 52	75250533	1	Chain set DK10/PK5 L=4.5m (14.76 ft)		
# 52	75228833	1	Chain set DK10/PK 5L=5.0m (16.40 ft)		
# 52	75228933	1	Chain set DK10/PK 5L=6.0m (19.68 ft)		
# 52	75250633	1	Chain set DK10/PK5 L=6.5m (21.32 ft)		
# 52	75229033	1	Chain set DK10/PK 5L=7.0m (22.96 ft)		
# 52	75229133	1	Chain set DK10/PK 5L=8.0m (26.24 ft)		
# 52	75229233	1	Chain set DK10/PK 5L=8.5m (27.88 ft)		
# 52	75250733	1	Chain set DK10/PK5 L=9.0m (29.52 ft)		
# 52	75229333	1	Chain set DK10/PK5 L=10m (32.80 ft)		
# 52	75250833	1	Chain set DK10/PK5 L=11m (36.08 ft)		
# 52	75229433	1	Chain set DK10/PK5 L=12m (39.36 ft)		
# 52	75250933	1	Chain set DK10/PK5 L=13m (42.64 ft)		
# 52	75251033	1	Chain set DK10/PK5 L=14m (45.92 ft)		
# 52	75251133	1	Chain set DK10/PK5 L=15m (49.20 ft)		
# 52	75251233	1	Chain set DK10/PK5 L=16m (52.48 ft)		
# 52	75251333	1	Chain set DK10/PK5 L=17m (55.76 ft)		
# 52	75251433	1	Chain set DK10/PK5 L=18m (59.04 ft)		
# 52	75251533	1	Chain set DK10/PK5 L=19m (62.32 ft)		
# 52	75251633	1	Chain set DK10/PK5 L=20m (65.60 ft)		
# 52	75251733	1	Chain set DK10/PK5 L=21m (68.88 ft)		
# 52	75251833	1	Chain set DK10/PK5 L=22m (72.16 ft)		
# 52	75251933	1	Chain set DK10/PK5 L=23m (75.44 ft)		
# 52	75252033	1	Chain set DK10/PK5 L=24m (78.72 ft)		
# 52	75252133	1	Chain set DK10/PK5 L=25m (82.00 ft)		
# 52	75252233	1	Chain set DK10/PK5 L=26m (85.28 ft)		
# 52	75252333	1	Chain set DK10/PK5 L=27m (88.56 ft)		
# 52	75252433	1	Chain set DK10/PK5 L=28m (91.84 ft)		
# 52	75252533	1	Chain set DK10/PK5 L=30m (98.40 ft)		
# 52	75252633	1	Chain set DK10/PK5 L=40m (131.20 ft)		
# 52	75252733	1	Chain set DK10/PK5 L=50m (164.00 ft)		

1) Quantity 0.40 liter (0.62 qts) part no. 472 902 44 (1.0 kg 2.2 lbs).  
 2) Fix limit stop (item 51) to the 10th chain link.

# Helical gearbox, 2-stages

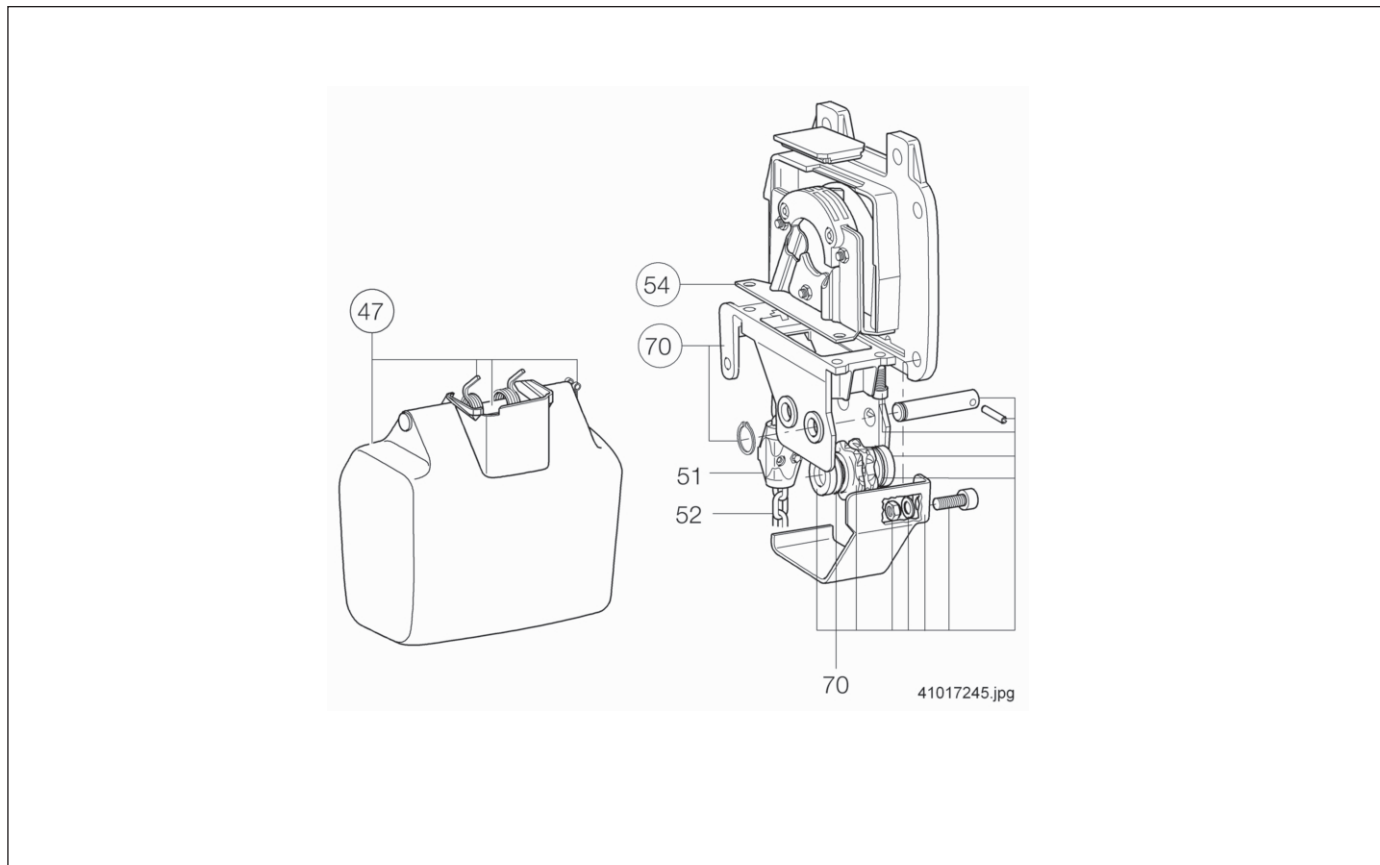
## Helical gearbox, combination with corresponding motor for one/two hoist speeds

Item no.	Part no.	Quantity	Designation	Material	Standard
54	83737733	1	Chain guide set DK10		
56	83738033	1	Output shaft set DK10/16		
59	83707833	1	Pilot section set DK10		
60	83761933	1	Load hook crossbeam set DK10		
61	83764533	1	Eye ring transverse set DK10		
63	83865033	1	Load hook DC16/25 DK10/20		
64	83865633	1	Hook safety catch set size 5 x 5		
			<b>Shaft gearbox for motor KMK 90 B 2/8</b>		
67	13847633	1	Shaft KMK set	1000, 800, 630, V1, i = 79.9	
67	13847633	1	Shaft KMK set	630, V2, i = 58.8	
			<b>Shaft gearbox for motor KMK 100 B 2/8</b>		
67	14335633	1	Shaft coupling DK10/16	1250, V1, i = 79.9	
67	14335633	1	Shaft coupling DK10/16	1000, 800, V2, i = 58.8	
			<b>Shaft gearbox for motor KMK 100 B 2/12</b>		
67	14335633	1	Shaft coupling DK10/16	500, V3, i = 36.2	
			<b>Shaft gearbox for motor KMK 90 B 2</b>		
67	13847633	1	Shaft KMK set	1250, 1000, 800, 630, V1, i = 79.9	
67	13847633	1	Shaft KMK set	800, 630, V2, i = 58.8	
67	13847633	1	Shaft KMK set	500, V3, i = 36.2	
			<b>Shaft gearbox for motor KMK 100 B 2</b>		
67	14335633	1	Shaft coupling DK10/16	1000, V2, i = 58.8	

22251005.tbl

# Chain guide

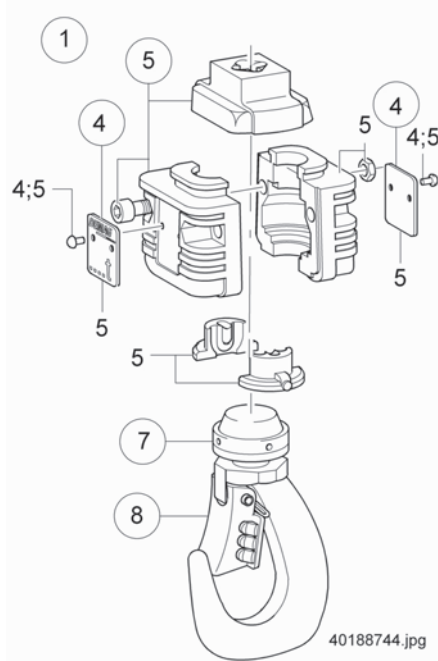
## Fittings for RKDK - EKDK low-headroom monorail hoist



Item no.	Part no.	Quantity	Designation	Material	Standard
47					
51				see page 9	
52				see page 9	
54				see page 9	
70	83725233	1	Return sheave support set DK10	see page 9	

22251006.tbl

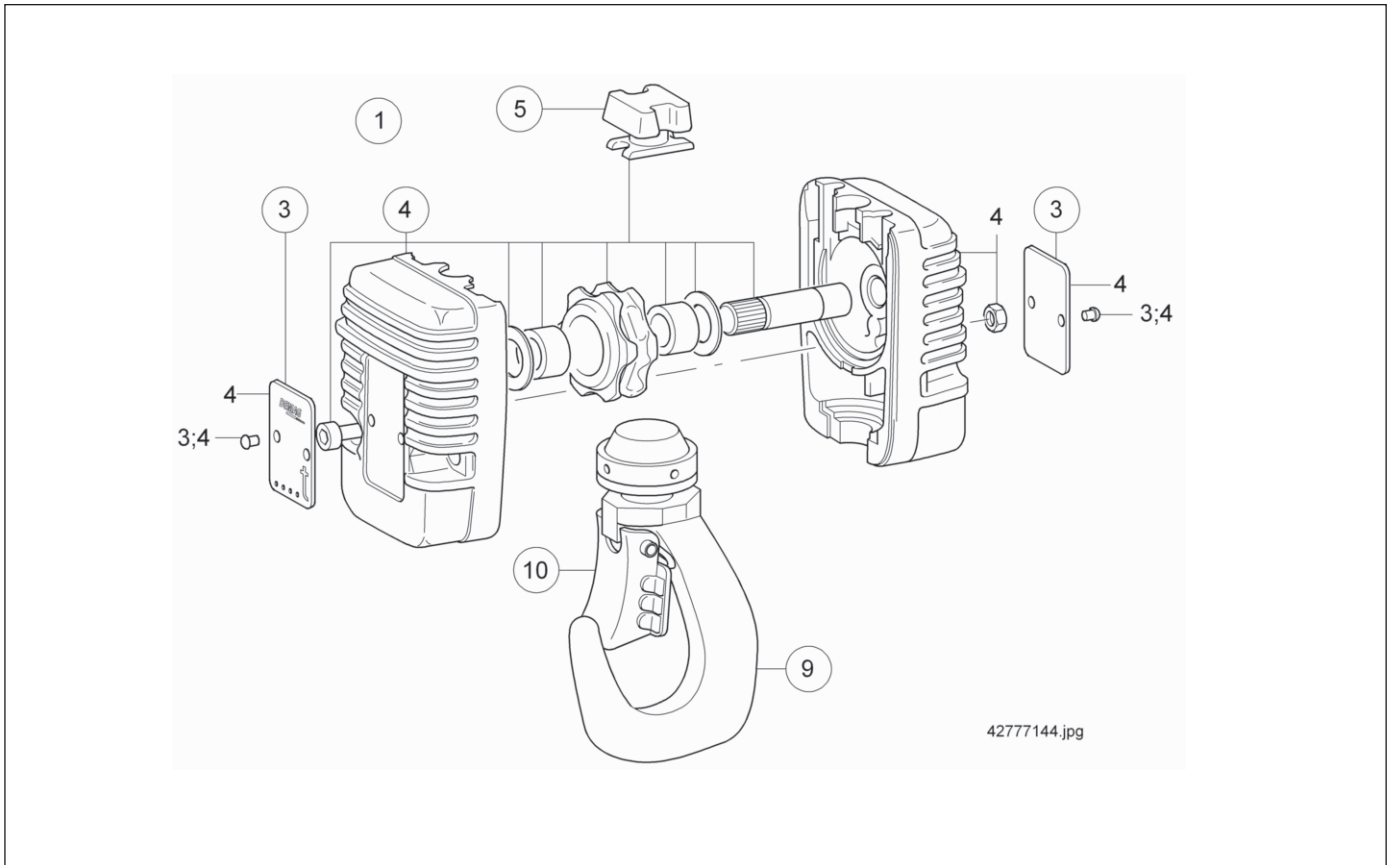
# Hook with fittings, 1/1 reeving



Item no.	Part no.	Quantity	Designation	Material	Standard
1	83774033	1	Hook fittings set DK10		c/w items 5, 7
4	83590833	1	Capacity plate set DK10		
5	83775233	1	Hook fittings half DK10		c/w item 4
7	83765033	1	Load hook set size 4		c/w item 8
8	83765933	1	Hook safety catch set size 4 x5		

22251007.tbl

# # Bottom block, 2/1 reeving

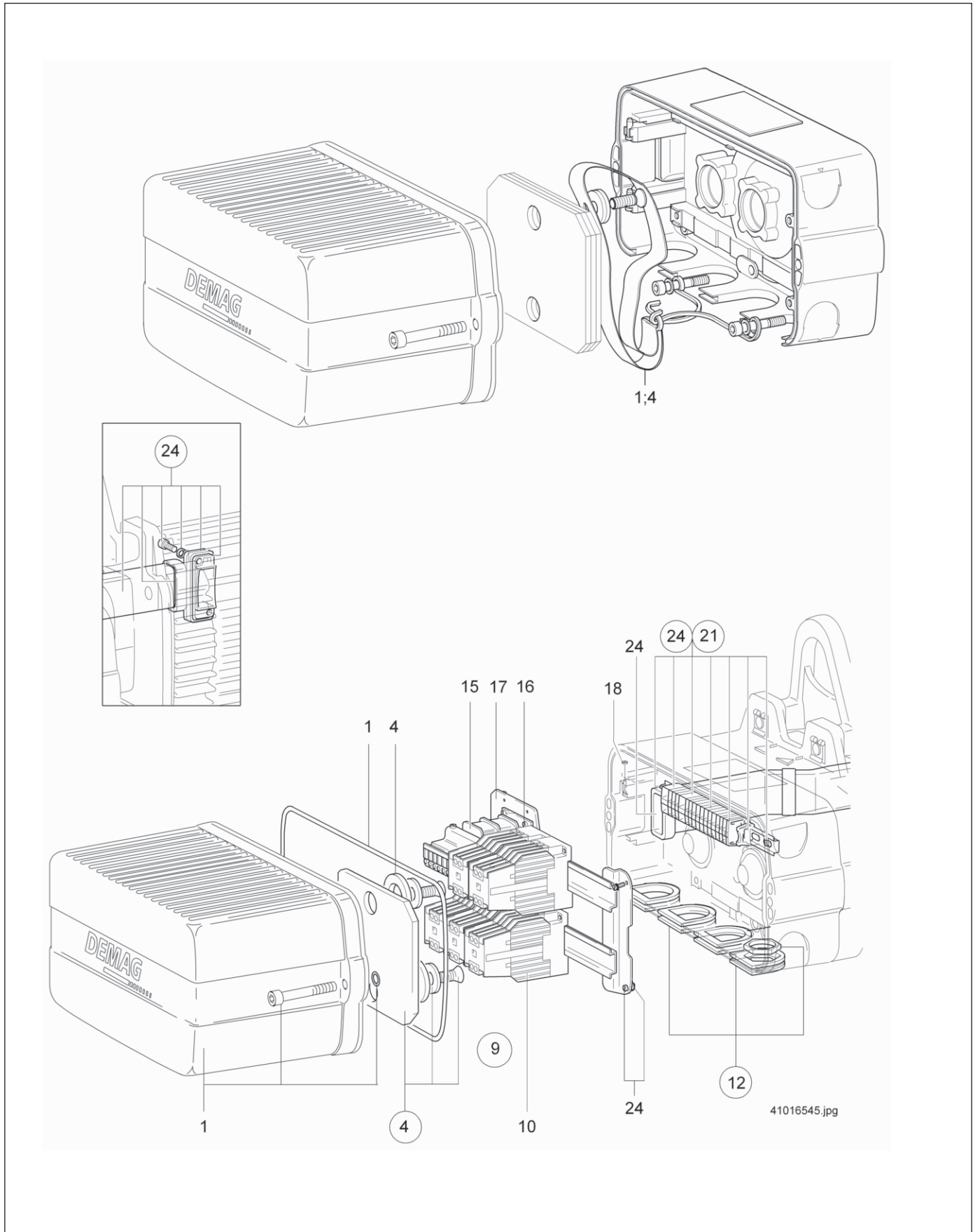


Item no.	Part no.	Quantity	Designation	Material	Standard
1	83788133	1	Bottom block set DK10	c/w items 4, 9	
3	83592833	1	Capacity plate set DK10		
4	83785233	1	Bottom block half set DK10	c/w items 3, 5	
# 5	83786133	1	Buffer plug bottom block x5		
9	83865033	1	Load hook DC16/25 DK10/20	c/w item 10	
10	83865633	1	Hook safety catch set size 5 x5		

22251008.tbl

# Electrical components

## Contactors control



# Electrical components

## Contactor control

Item no.	Part no.	Quantity	Designation	Material	Standard
1	83712333	1	Cover set, long DK10-20		
4	83712733	1	Counterweight set DK10/16		
9	5)		Switchgear set 3-Phase Design		c/w items 10, 15, 24 1), 2), 3), 4)
10	87559144	1	Contactactor DSW 3TF8633		
10	87524744	1	Contactactor LC1D128FE7		
10	87560644	1	Contactactor DSUB 311		
10	87535044	1	Contactactor DSW 3TF8133		
12	83612933	1	Plug-in unit set		
# 15	5)	1	Control transformer set 36VA		
# 15	5)	1	Control transformer set 63VA		
16	31892599	4	Round head screw M 4 X 8 Z3	4.8 A2F	DIN 84
17	83712244	1	Mounting plate DK10 - 20		
18	34280444	1	Clamping plate 4 X 1.5 X 11.2		
21	89528933	1	Modular terminal set		
24	89526833	1	Control set small parts	DK10/16	

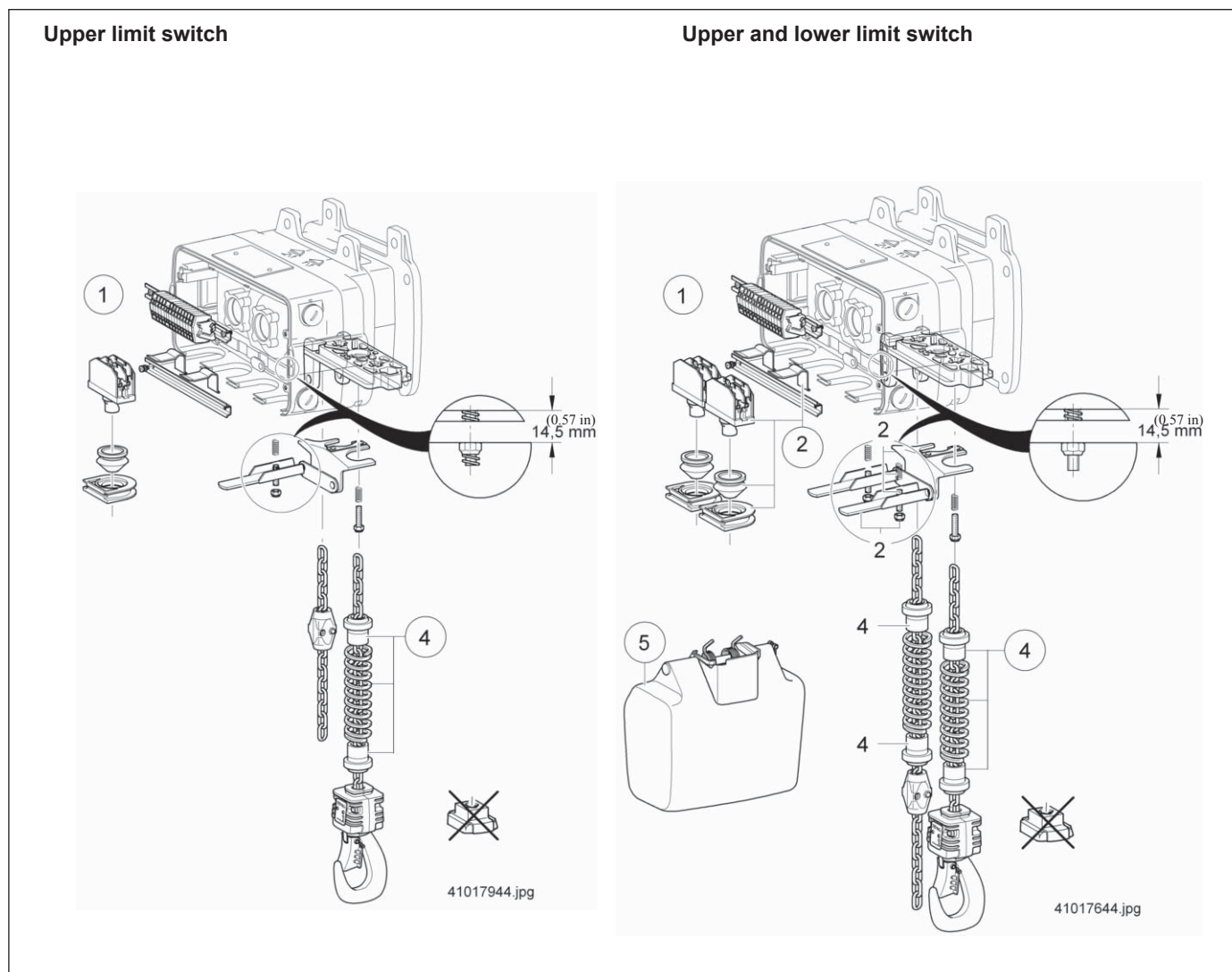
22251010.tbl

1) State operating and control voltage when ordering.  
 2) Without control transformer.  
 3) Wired according to order no.

4) With crane switch  
 5) On request.

# Limit switch for the upper and lower hook position

## 1/1 reeving



### Limit switch for the upper hook position

Item no.	Part no.	Quantity	Designation	Material	Standard
1	83778333	1	Limit switching set	DK 10	
4	83728633	2	Cut-out sleeve set	DK 10	

22251011.tbl

### Limit switch for the upper and lower hook position

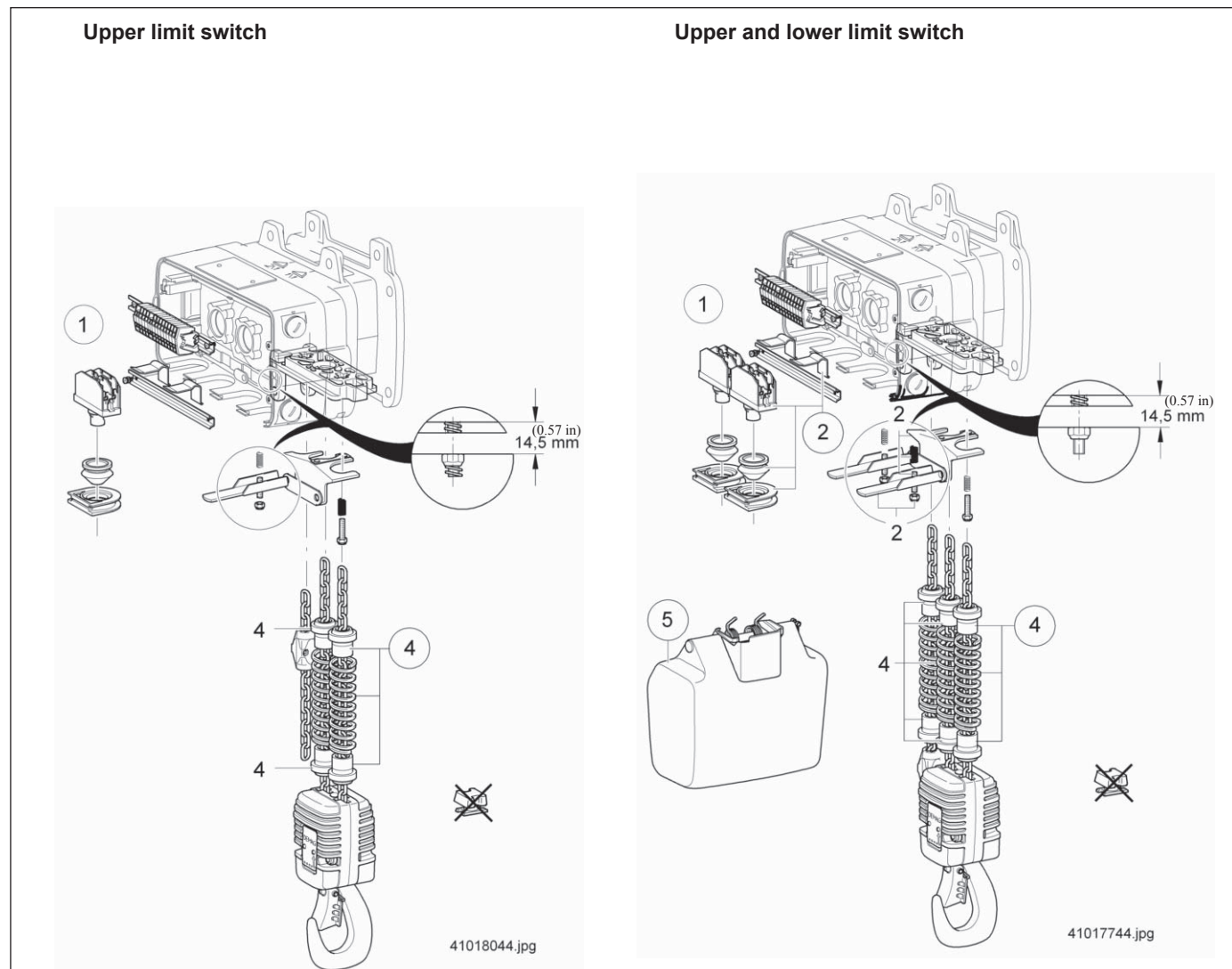
Item no.	Part no.	Quantity	Designation	Material	Standard
1	83778333	1	Limit switching set	DK 10	Basic set
2	83778233	1	Limit switching set	DK 10	Supp. set
4	83728633	4	Cut-out sleeve set	DK10	
5	83806533	1	Chain collector box DK 10-20 size 5		max. chain length 17 m (55 feet)

22251012.tbl



# Limit switch for the upper and lower hook position

## 2/1 reeving



### Limit switch for the upper hook position

Item no.	Part no.	Quantity	Designation	Material	Standard
1	83778333	1	Limit switching set DK 10		
4	83728633	4	Cut-out sleeve set DK 10		

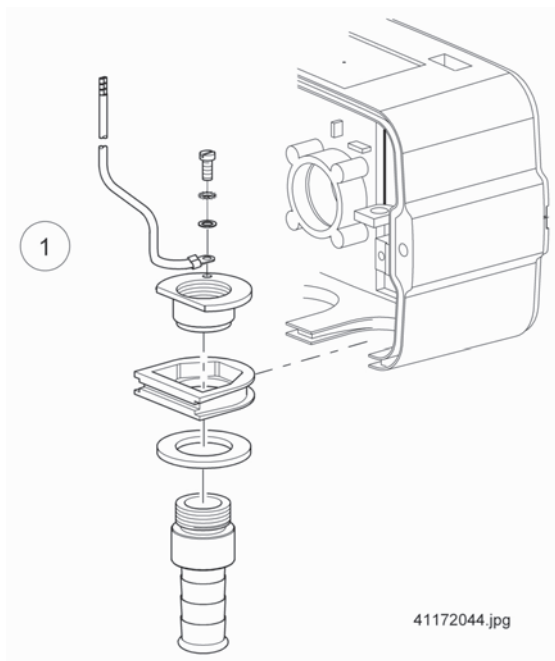
22251013.tbl

### Limit switch for the upper and lower hook position

Item no.	Part no.	Quantity	Designation	Material	Standard
1	83778333	1	Limit switching set DK 10	Basic set	
2	83778233	1	Limit switching set DK 10	Supp. set	
4	83728633	6	Cut-out sleeve set DK 10		
5	83806533	1	Chain collector box DK 10-20 size 5	max. chain length 17 m (55 feet)	

22251014.tbl

# Reinforced PG16 cable sleeve insert

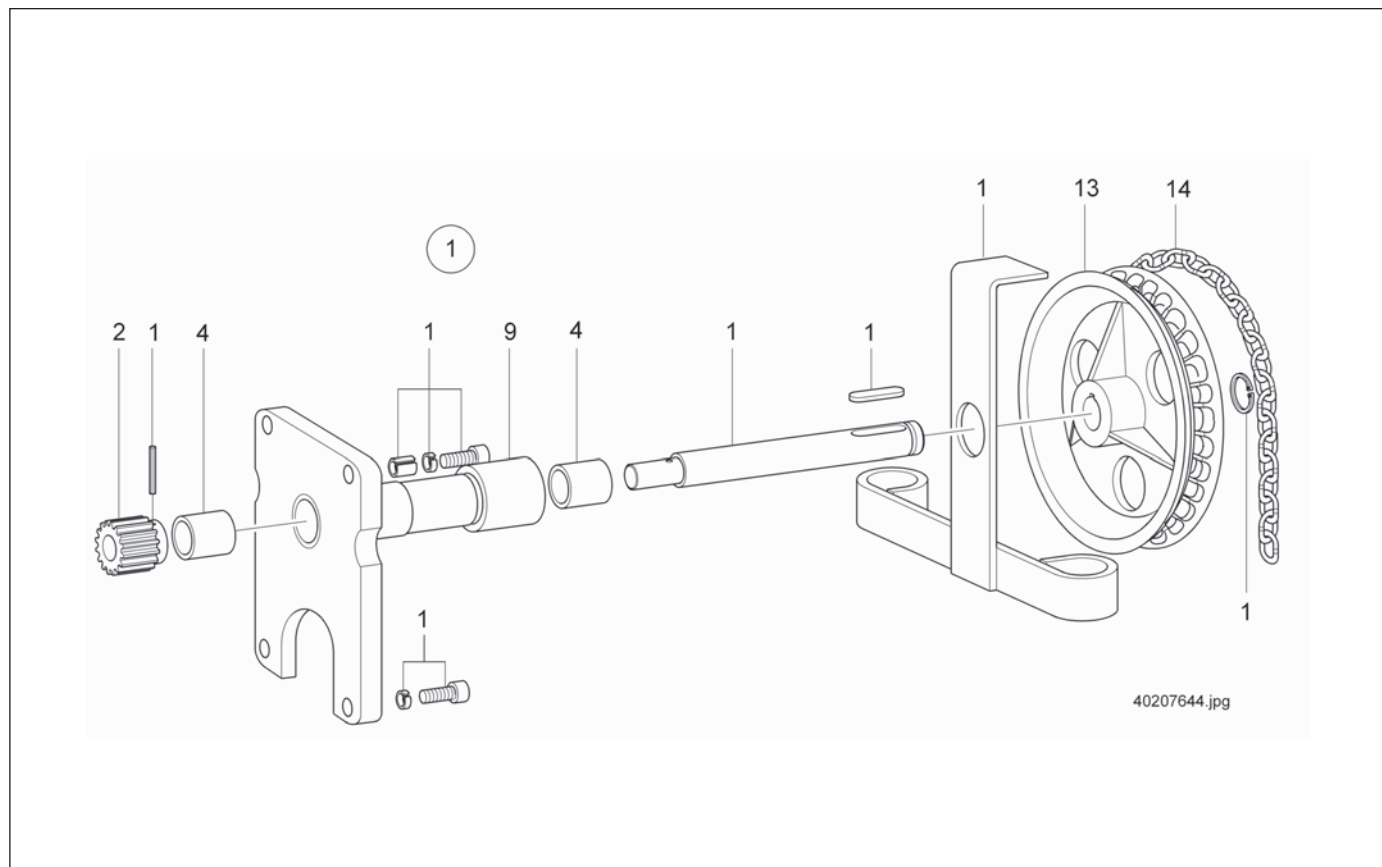


Item no.	Part no.	Quantity	Designation	Material	Standard
1	83653033	1	Plug-in unit PG16 DK 1-20		

22249506.tbl



# Hand chain drive for HU 11 DK/HU 22 DK trolley



Item no.	Part no.	Quantity	Designation	Material	Standard
1	56189044	1	Hand chain drive HU5+10PK	c/w items 2, 4, 9, 13	
2	56189644	1	Pinion T 18 M 2 B 34		
4	34219944	2	Bushing 25 X 28 X 30 B		
9	50221944	1	Bushing 37 X 42.4 X 44		
13	50226344	1	Chain wheel 200		
14	47260499	1	Round steel chain 3- 5 X 18.5	1)	DIN 766

22250020.tbl

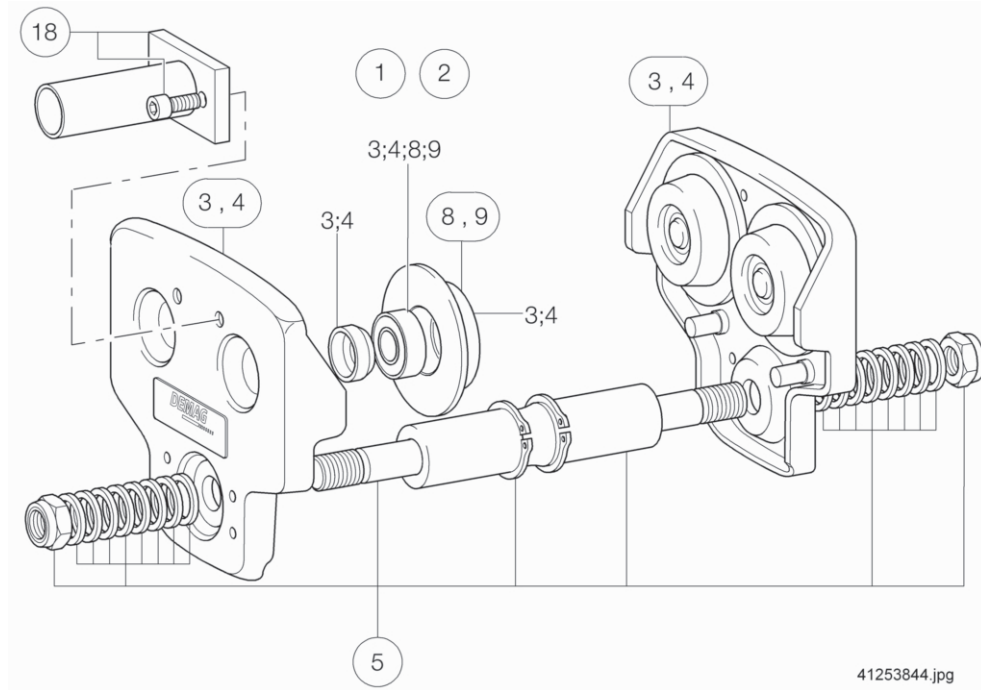
# Standard headroom monorail hoist

## Trolley RU 6 DK

SWL 700 kg (1540 lbs)

Flange width 58 - 300 mm (2.28 - 11.81 in)

Suitable for Demag chain hoist  
DKUN 10-500, 1/1 reeving



Item no.	Part no.	Quantity	Designation	Material	Standard
1	83963444	1	Trolley w/cylindrical wheels w/o crossbar	RU 6	c/w item 3
2	83963244	1	Trolley w/conical wheels w/o crossbar	RU 6	c/w item 4
3	83963144	2	Side plate w/cylindrical wheels plain	RU 6DK	
4	83963044	2	Side plate w/conical wheels plain	RU 6DK	
5	83963944	1	Crossbar Fl.W. 58 - 90 (2.28 - 3.54 in)	RU 6	
5	83964044	1	Crossbar Fl.W. 91 - 143 (3.58 - 5.63 in)	RU 6	
5	83952044	1	Crossbar Fl.W. 144 - 200 (5.67 - 7.87 in)	RU 6	
5	83952144	1	Crossbar Fl.W. 201 - 300 (7.91 - 11.81 in)	RU 6	
8	83983633	1	Travel wheel set, cylindrical 65 plain		
9	83963533	1	Travel wheel set, conical 65 plain		
18	83973733	1	Current collector set 400		

22251015.tbl

# Standard headroom monorail hoist

## Trolley RU 11 DK

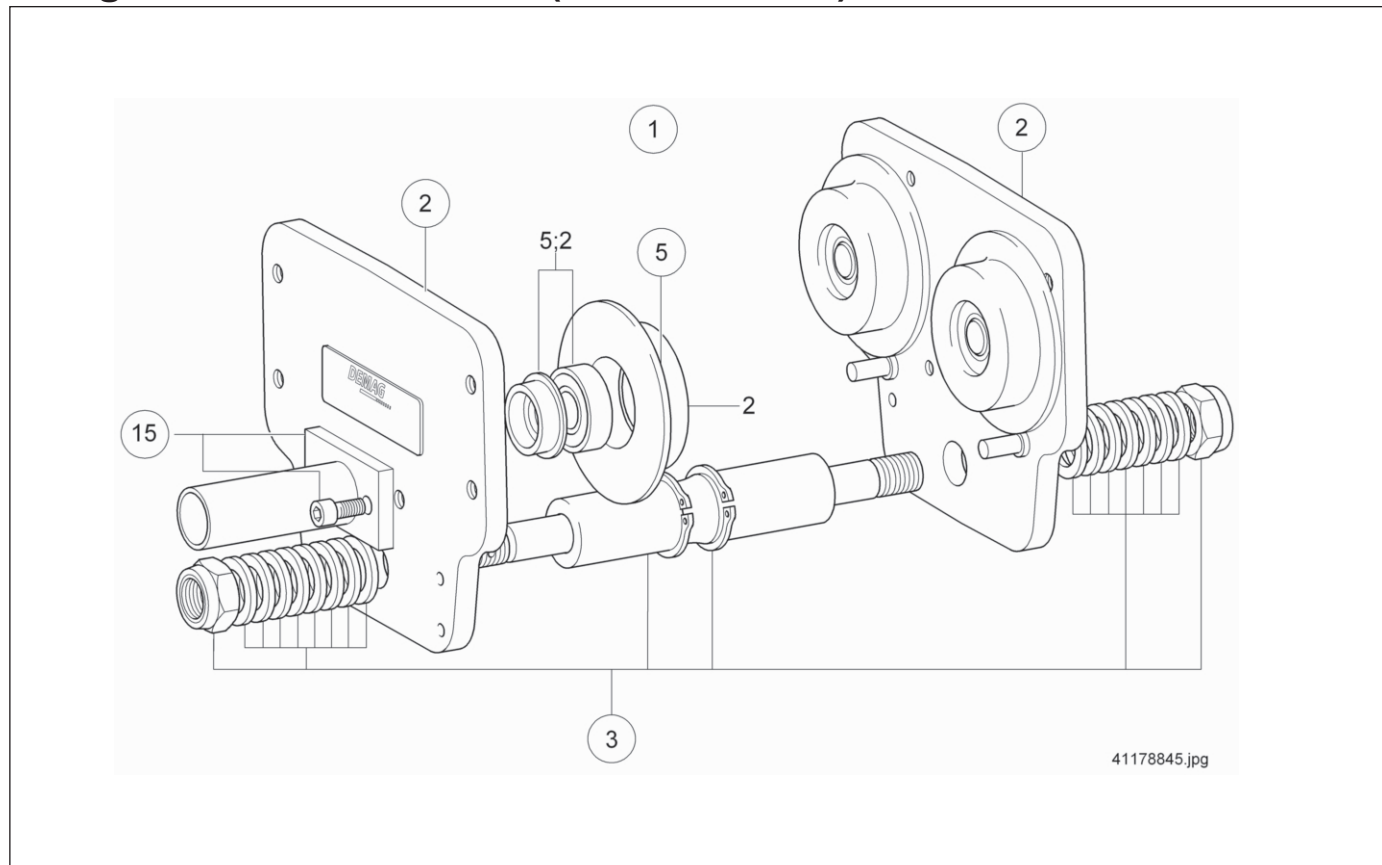
SWL 1350 kg (2970 lbs)

Flange width 58 – 300 mm (2.28 - 11.81 in)

Suitable for Demag chain hoist

DKUN 10-800/1000/1250, 1/1 reeving

DKUN 10-500/630, 1/1 and 2/1 reeving



Item no.	Part no.	Quantity	Designation	Material	Standard
1	84010344	1	Trolley w/universal wheels w/o crossbar	RU11	
2	84010844	2	Side plate w/universal wheels plain		c/w item 2
3	83965944	1	Crossbar Fl.W. 58 - 90 (2.28 - 3.54 in)	RU11	
3	83966044	1	Crossbar Fl.W. 91 - 143 (3.58 - 5.63 in)	RU11	
3	83953544	1	Crossbar Fl.W. 144 - 200 (5.67 - 7.87 in)	RU11	
3	83953644	1	Crossbar Fl.W. 201 - 300 (7.91 - 11.81 in)	RU11	
5	84014033	1	Travel wheel set, universal 80 plain		
15	83973733	1	Current collector set 400		

22251016.tbl

# Standard headroom monorail hoist

## Trolley EU 11 DK

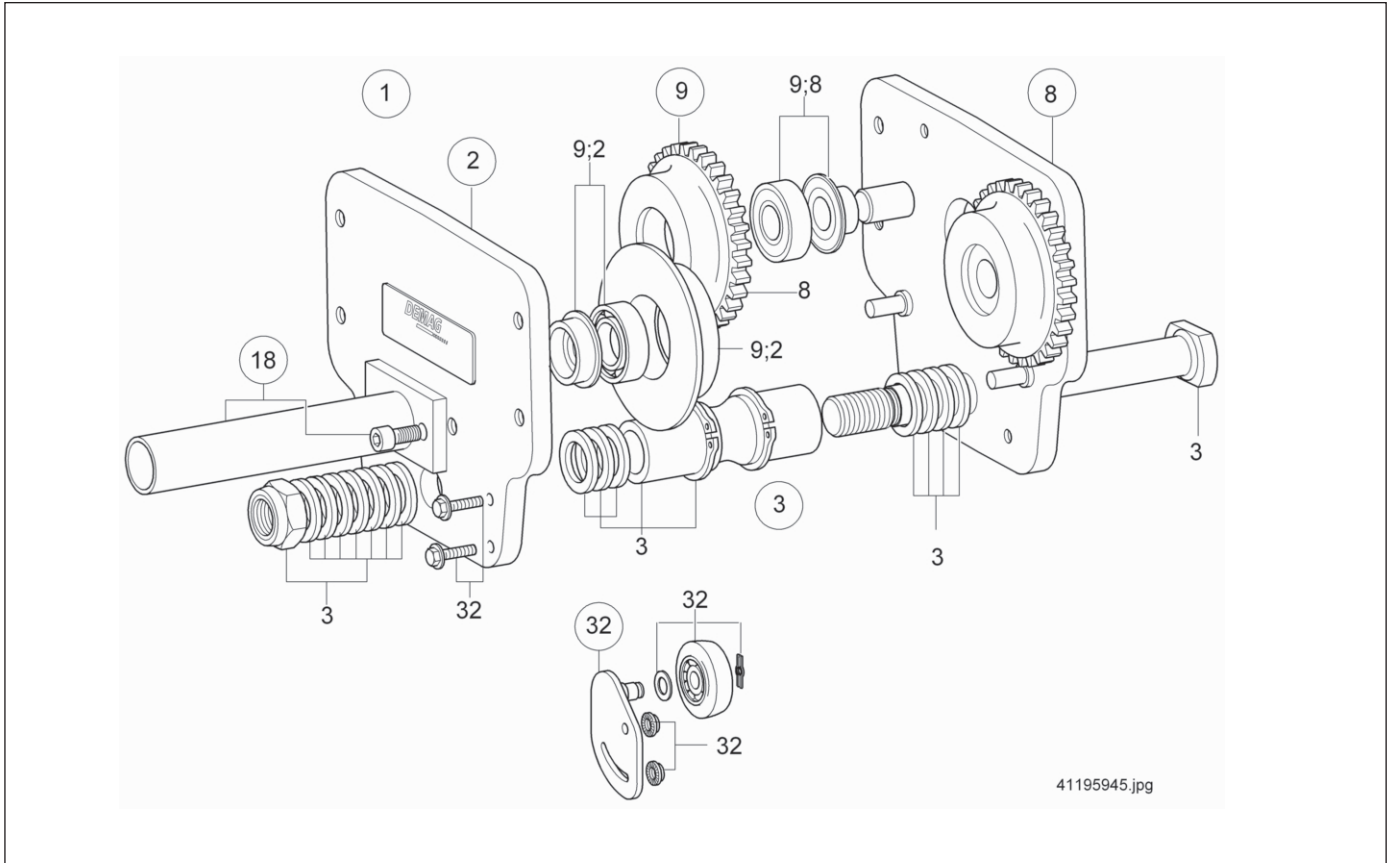
SWL 1350 kg (2970 lbs)

Flange width 58 – 300 mm (2.28 - 11.81 in)

Suitable for Demag chain hoist

DKUN 10-800/1000/1250, 1/1 reeving

DKUN 10-500/630, 1/1 and 2/1 reeving



Item no.	Part no.	Quantity	Designation	Material	Standard
1	84010444	1	Trolley w/universal wheels w/o crossbar	EU11	
2	84010844	1	Side plate w/universal wheels plain		c/w items 2, 8
3	83952344	1	Crossbar Fl.W. 58 - 90 (2.28 - 3.54 in)	EU11	
3	83952444	1	Crossbar Fl.W. 91 - 143 (3.58 - 5.63 in)	EU11	
3	83954444	1	Crossbar Fl.W. 144 - 200 (5.67 - 7.87 in)	EU11	
3	83954544	1	Crossbar Fl.W. 201 - 300 (7.91 - 11.81 in)	EU11	
8	84010744	1	Side plate w/universal wheels geared		
9	84015033	1	Travel wheel set, universal		
18	83973733	1	Current collector set 400		
32	83913033	1	Supporting roller unit set		

22251017.tbl

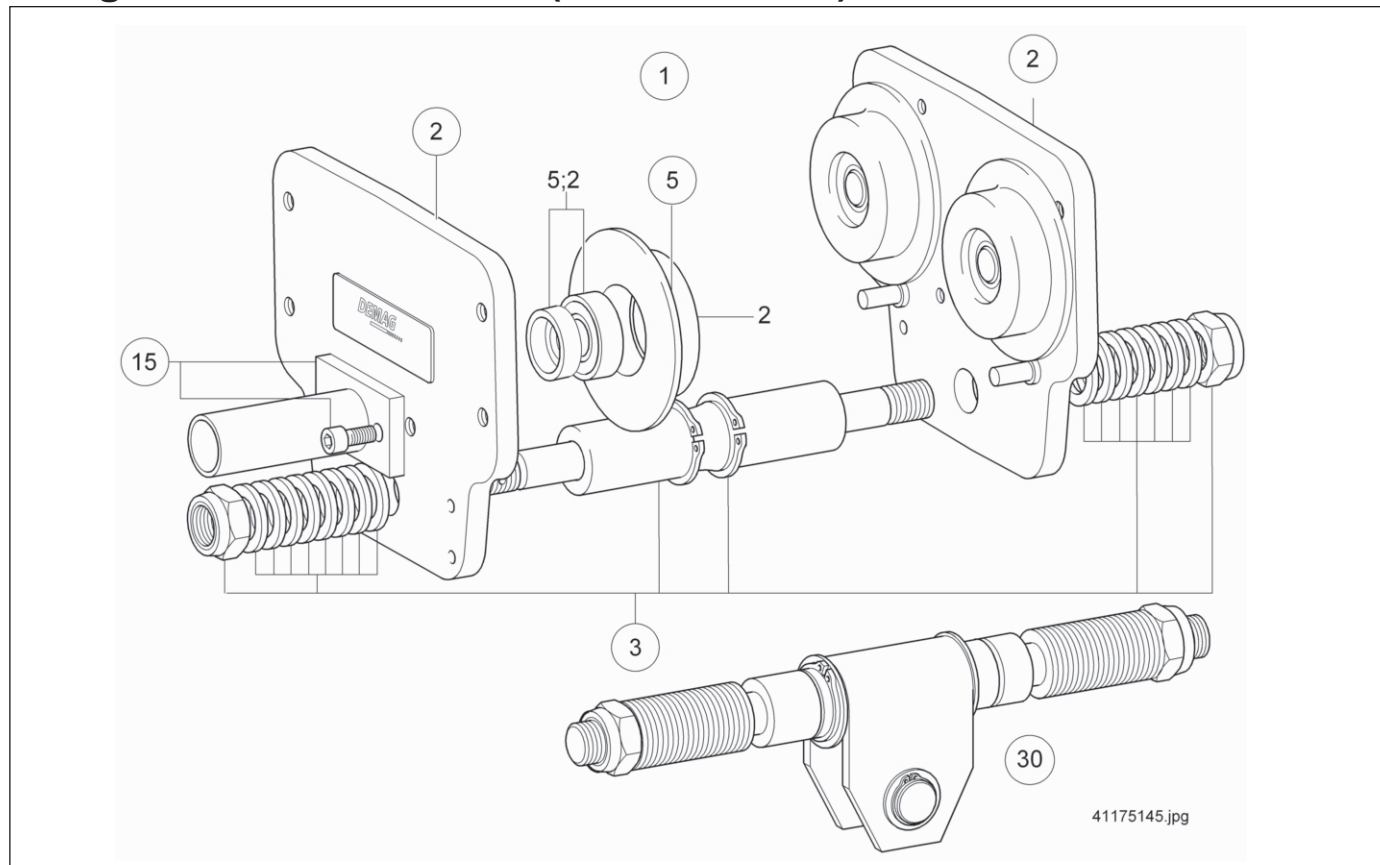
# Standard headroom monorail hoist

## Trolley RU 22 DK

SWL 2600 kg (5720 lbs)

Flange width 82 – 300 mm (3.23 - 11.81 in)

Suitable for Demag chain hoist  
DKUN 10-500/630/800/1000/1250,  
1/1 and 2/1 reeving



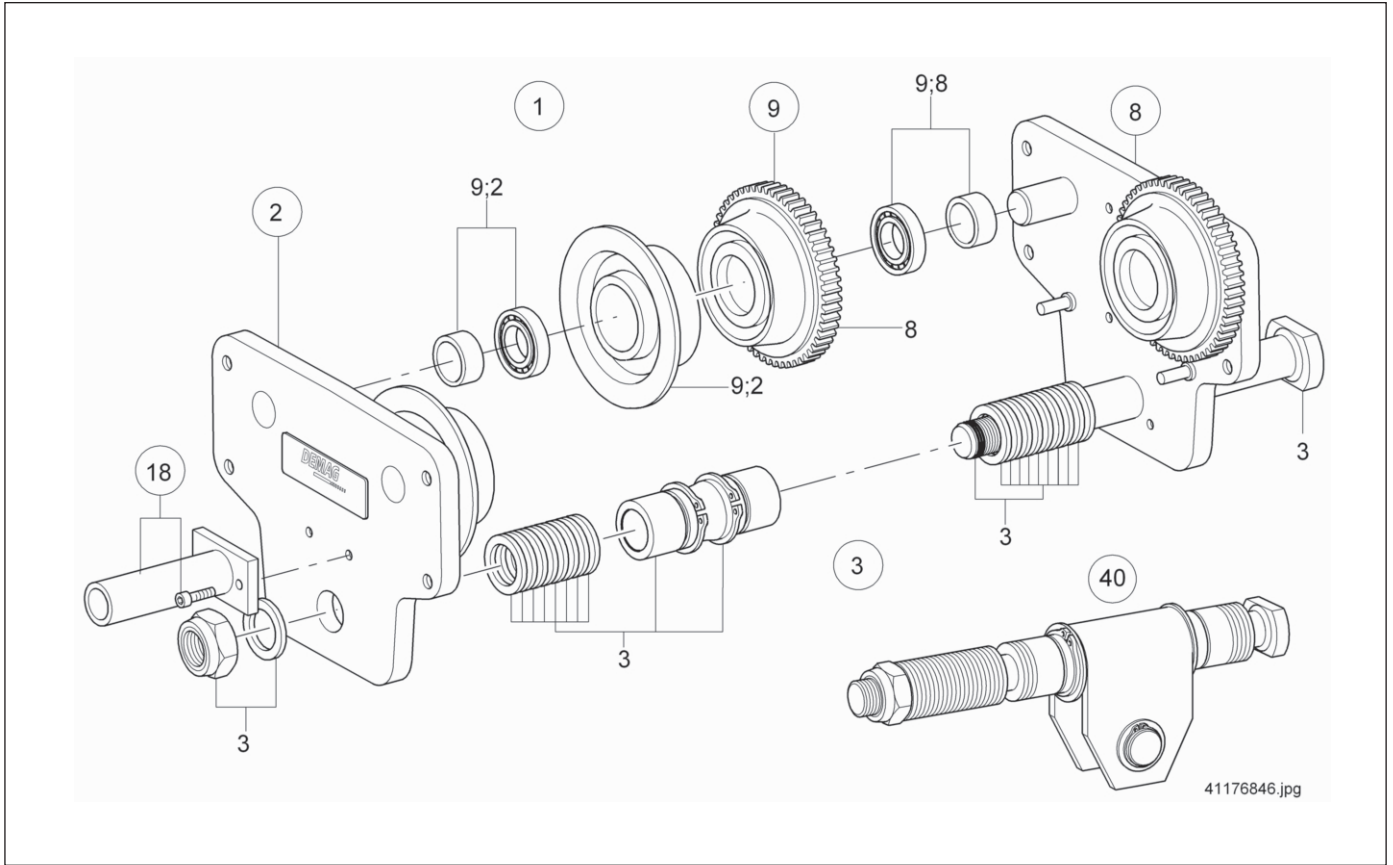
Item no.	Part no.	Quantity	Designation	Material	Standard
1	84011344	1	Trolley w/universal wheels w/o crossbar RU22	c/w item 2	
2	84011644	2	Side plate w/universal wheels plain		
3	83955644	1	Crossbar Fl.W. 82 - 143 (3.23 - 5.63 in) RU22		
3	83955744	1	Crossbar Fl.W. 144 - 200 (5.67 - 7.87 in) RU22		
3	83955844	1	Crossbar Fl.W. 201 - 300 (7.91 - 11.81 in) RU22		
5	84016033	1	Travel wheel set, universal 112 plain		
15	83973733	1	Current collector set 400		
30	56334044	1	Crossbar Fl.W. 144 - 200 (5.67 - 7.87 in) RU10PK		
30	56334544	1	Crossbar Fl.W. 201 - 300 (7.91 - 11.81 in) RU10PK		

22251018.tbl



**Standard headroom monorail hoist**  
**Trolley EU 22 DK**  
**SWL 2600 kg (5720 lbs)**  
**Flange width 82 – 300 mm (3.23 - 11.81 in)**

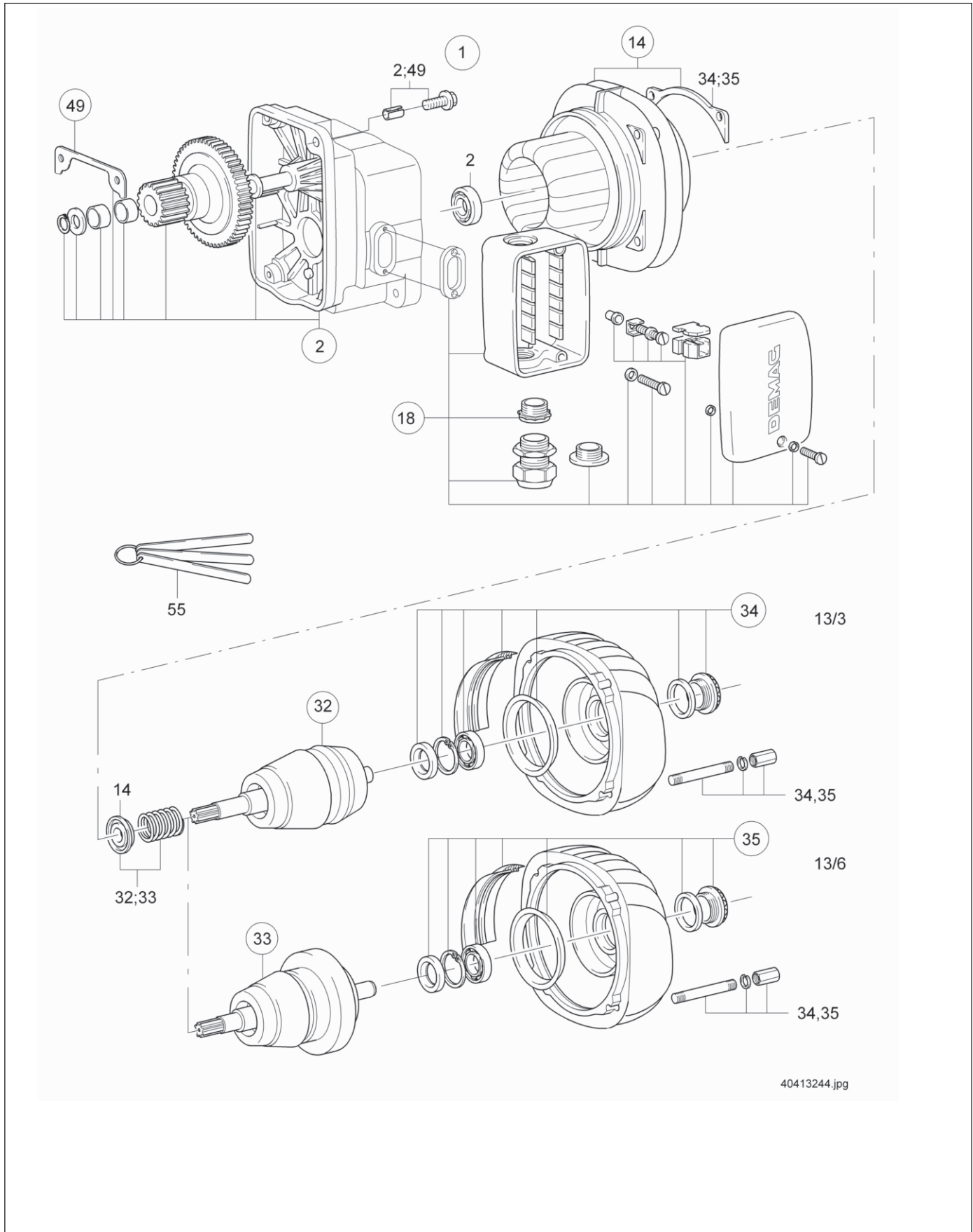
Suitable for Demag chain hoist  
 DKUN 10-500/630/800/1000/1250,  
 1/1 and 2/1 reeving



Item no.	Part no.	Quantity	Designation	Material	Standard
1	84011444	1	Trolley w/universal wheels w/o crossbar	EU22	c/w items 2, 8
2	84011644	1	Side plate w/universal wheels plain		
3	83956344	1	Crossbar Fl.W. 82 - 143 (3.23 - 5.63 in)	EU22	
3	83956444	1	Crossbar Fl.W. 144 - 200 (5.67 - 7.87 in)	EU22	
3	83956544	1	Crossbar Fl.W. 201 - 300 (7.91 - 11.81 in)	EU22	
8	84011744	1	Side plate w/ universal wheels geared		
9	84017033	1	Travel wheel set, universal		
18	83973733	1	Current collector set 400		
40	83976844	1	Crossbar Fl.W. 144 - 200 (5.67 - 7.87 in)	EU10/22	
40	83976944	1	Crossbar Fl.W. 201 - 300 (7.91 - 11.81 in)	EU10/22	

22251019.tbi

# Travel drive PKF 13/3 and PKF 13/6



# Travel drive PKF 13/3 and PKF 13/6

Item no.	Part no.	Quantity	Designation	Material	Standard
1	4)	1	Motor 13/3PKF		
1	4)	1	Motor 13/6PKF		
2	56307133	1	End shield set PKF-M5		
14	4)	1	Stator set F13/3		2)
14	4)	1	Stator set F13/6		2)
18	56369233	1	Terminal box set PKF		
32	56379133	1	Rotor set 13/3 PKF		2) 3)
32	56379233	1	Rotor set 13/3 PKF+BS		2)
33	56304733	1	Rotor set 13/6 PF 8-2		2) 3)
33	56304833	1	Rotor set 13/6PF8-2 BS		2)
34	56024033	1	End shield set B 13/3 P		1) 3)
35	56305533	1	End shield set B 13/6		1) 3)
49	58136933	1	Seal set PKF13/3+6		
55	10015084	3	Feeler gauge set		2)
	01105844	1	Grease KPF2K-30 DG67B		

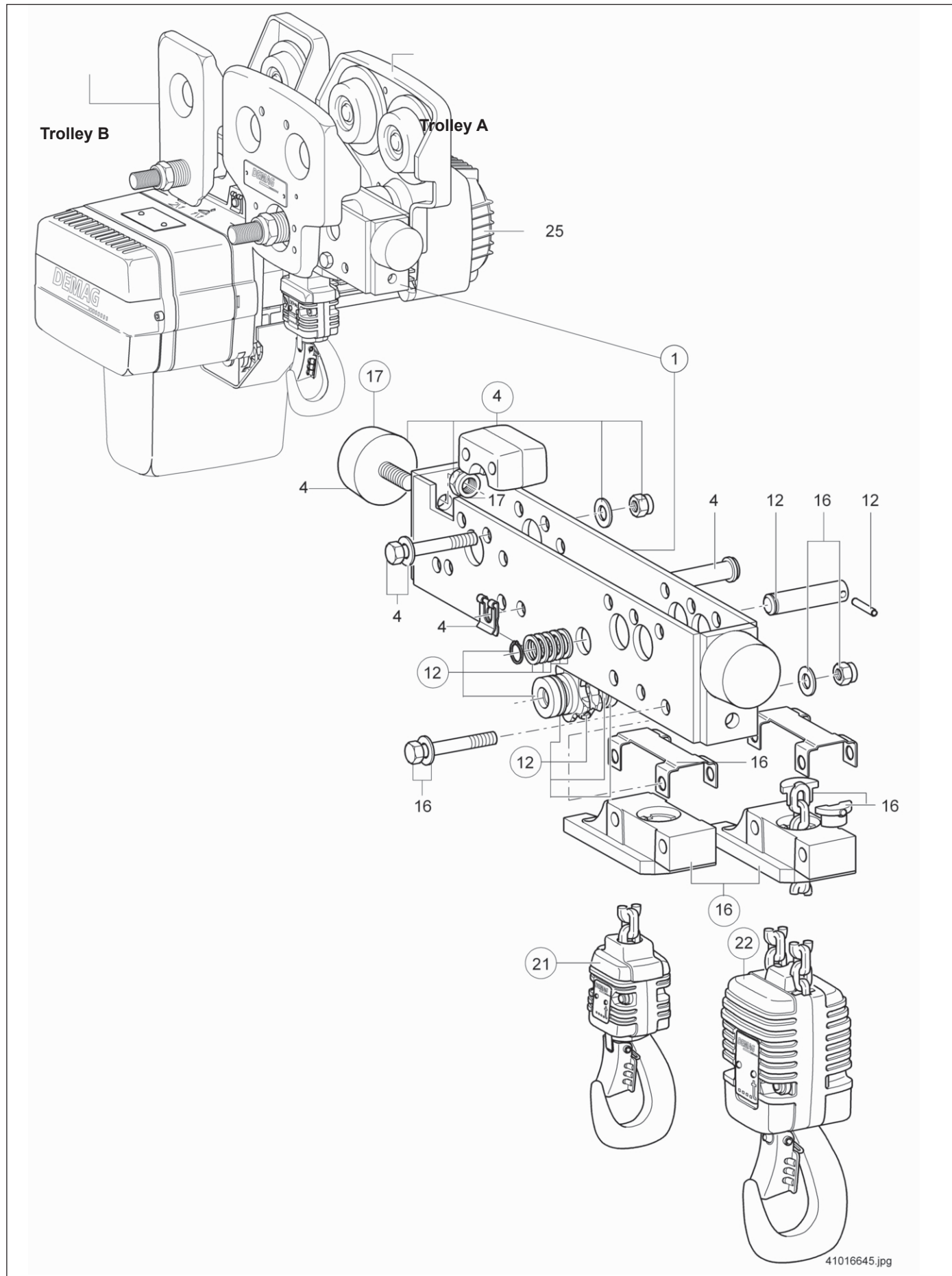
22249524.tbl

22910049.indd/210111

- 1) With gluing device.
- 2) A feeler gauge set (part no. 55) must also be ordered to adjust the air gap (adjust with feeler gauge no. 2, part no. 55).
- 3) For use in arduous conditions.
- 4) On request

# Bridge

## Low-headroom monorail hoist RK/EKDK



# Bridge

## Low-headroom monorail hoist RK/EKDK

Item no.	Part no.	Quantity	Designation	Material	Standard
1	83945144	1	Longitudinal girder DK10	size 22	
1	83942544	1	Longitudinal girder DK10	size 11	
4	83985733	1	Self-aligning bearing Buffer DK 10		
12	83788033	1	Return sheave set RK/EKDK	Needle-roller assembly, z = 5	
16	83993433	1	End bracket set 7.4 X 21.2		
17	97820633	1	Buffer set DK2/5/10		
21	83774033	1	Hook fittings set DK10	1/1, see Page 12	
22	83788133	1	Bottom block set DK10	2/1, see Page 13	
25			Travel drive PKF 13/3 and 13/6	see Page 28	

22251020.tbl

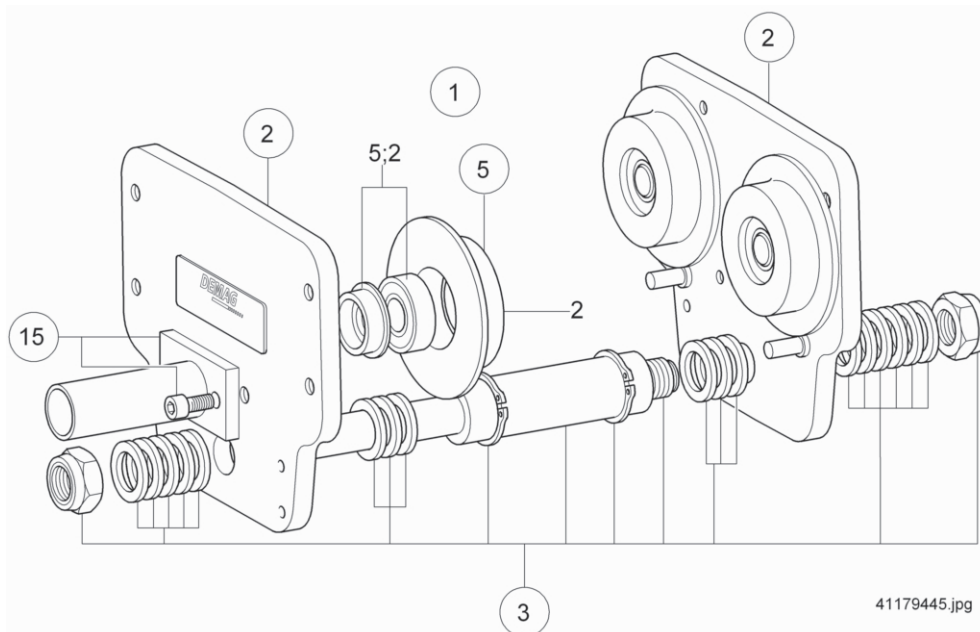
# Low-headroom monorail hoist

## Trolley size 11 RKDK

### Flange width 91 – 300 mm (3.58 - 11.81 in)

Suitable for Demag chain hoist  
 DKUN 10- 800/1000, 1/1 reeving  
 DKUN 10-630, 1/1 and 2/1 reeving

Trolley A



Item no.	Part no.	Quantity	Designation	Material	Standard
1	84010344	1	Trolley w/universal wheels w/o crossbar RU11	c/w item 2	
2	84010844	2	Side plate w/universal wheels plain		
3	83996844	1	Crossbar Fl.W. 91 - 143 (3.58 - 5.63 in) RKDK10		
3	83996944	1	Crossbar Fl.W. 144 - 200 (5.67 - 7.87 in) RKDK10		
3	83997044	1	Crossbar Fl.W. 201 - 300 (7.91 - 11.81 in) RKDK10		
5	84014033	1	Travel wheel set, universal 80 plain		
15	83973733	1	Current collector set 400		

22251021.tbl

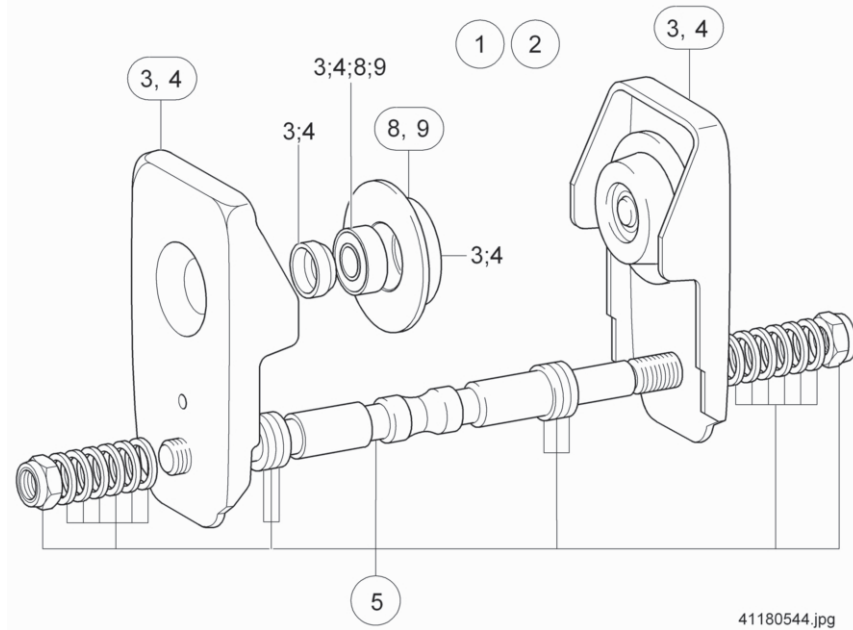
# Low-headroom monorail hoist

Only to be used with trolley A

## Trolley size 6/2 RKDK

Flange width 91 – 300 mm (3.58 - 11.81 in)

Trolley B



41180544.jpg

Item no.	Part no.	Quantity	Designation	Material	Standard
1	83983944	1	Trolley w/cylindrical wheels w/o crossbar	RU 6/2	c/w item 3
2	83984044	1	Trolley w/conical wheels w/o crossbar	RU 6/2	c/w item 4
3	83982544	2	Side plate w/cylindrical wheel plain	RU 6/2	
4	83982444	2	Side plate w/conical wheel plain	RU 6/2	
5	83983344	1	Crossbar Fl.W. 91 - 143 (3.58 - 5.63 in)	RKDK	
5	83983444	1	Crossbar Fl.W. 144 - 200 (5.67 - 7.87 in)	RKDK	
5	83983544	1	Crossbar Fl.W. 201 - 300 (7.91 - 11.81 in)	RKDK	
8	75212133	1	Travel wheel set, cylindrical 65 plain		
9	75212233	1	Travel wheel set, conical 65 plain		

22251022.tbl

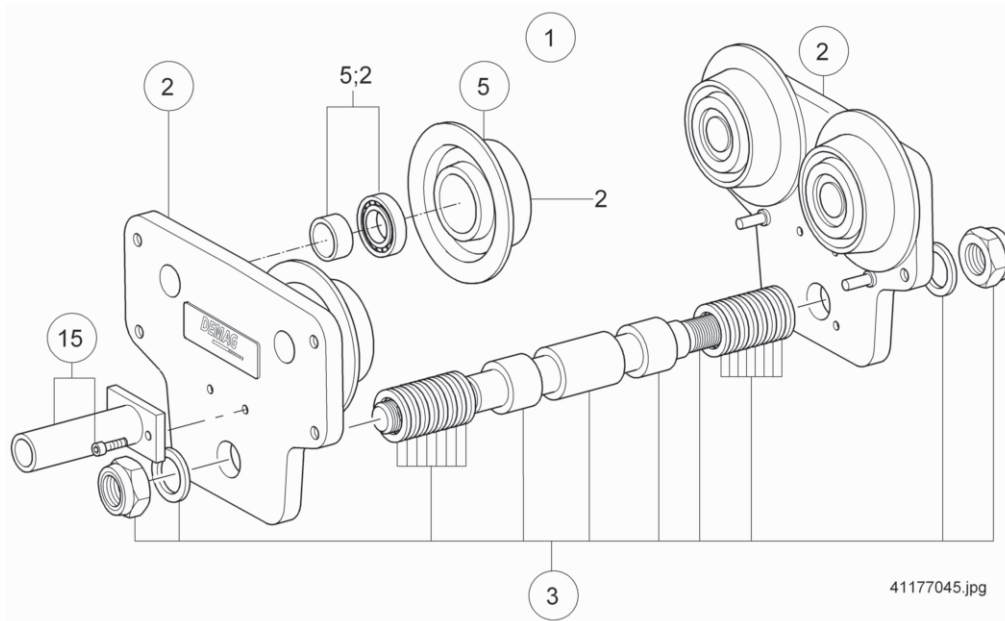
# Low-headroom monorail hoist

## Trolley size 22 RKDK

### Flange width 82 – 300 mm (3.23 - 11.81 in)

Suitable for Demag chain hoist  
DKUN 10-800/1000, 2/1 reeving

Trolley A



Item no.	Part no.	Quantity	Designation	Material	Standard
1	84011344	1	Trolley w/universal wheels w/o crossbar RU22	c/w item 2	
2	84011644	2	Side plate w/universal wheels plain		
3	83996044	1	Crossbar Fl.W. 82 - 143 (3.23 - 5.63 in) RKDK		
3	83996144	1	Crossbar Fl.W. 144 - 200 (5.67 - 7.87 in) RKDK		
3	83996244	1	Crossbar Fl.W. 201 - 300 (7.91 - 11.81 in) RKDK		
5	84016033	1	Travel wheel set, universal 112 plain		
15	83973733	1	Current collector set 400		

22251023.tbl



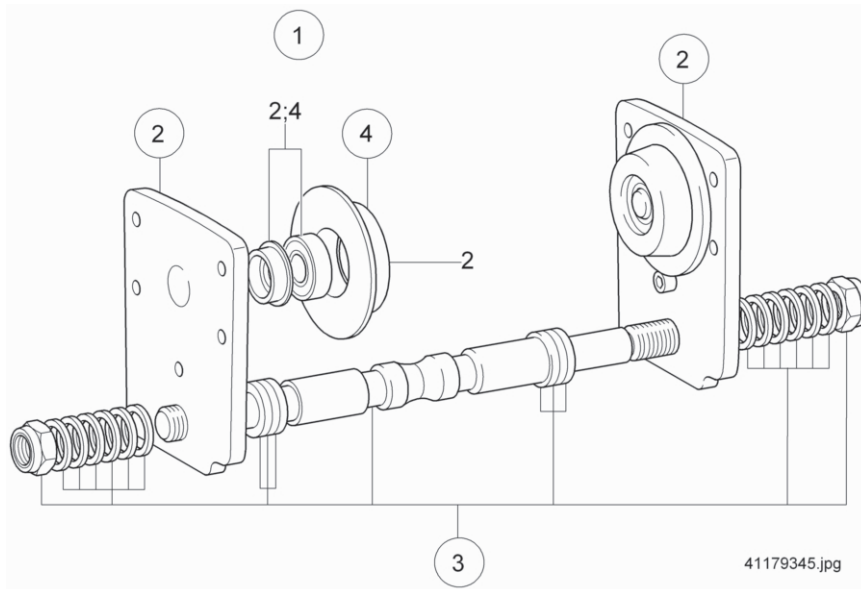
# Low-headroom monorail hoist

Only to be used with trolley A

## Trolley size 11/2 RKDK

Flange width 82 – 300 mm (3.23 - 11.81 in)

Trolley B



Item no.	Part no.	Quantity	Designation	Material	Standard
1	84011244	1	Trolley w/universal wheels w/o crossbar		c/w item 2
2	84010944	2	Side plate w/universal wheel plain		
3	83985144	1	Crossbar Fl.W. 82 - 143 (3.23 - 5.63 in)	RKDK	
3	83985244	1	Crossbar Fl.W. 144 - 200 (5.67 - 7.87 in)	RKDK	
3	83985344	1	Crossbar Fl.W. 201 - 300 (7.91 - 11.81 in)	RKDK	
4	75212333	1	Travel wheel set, universal 80 plain		

22251024.tbl

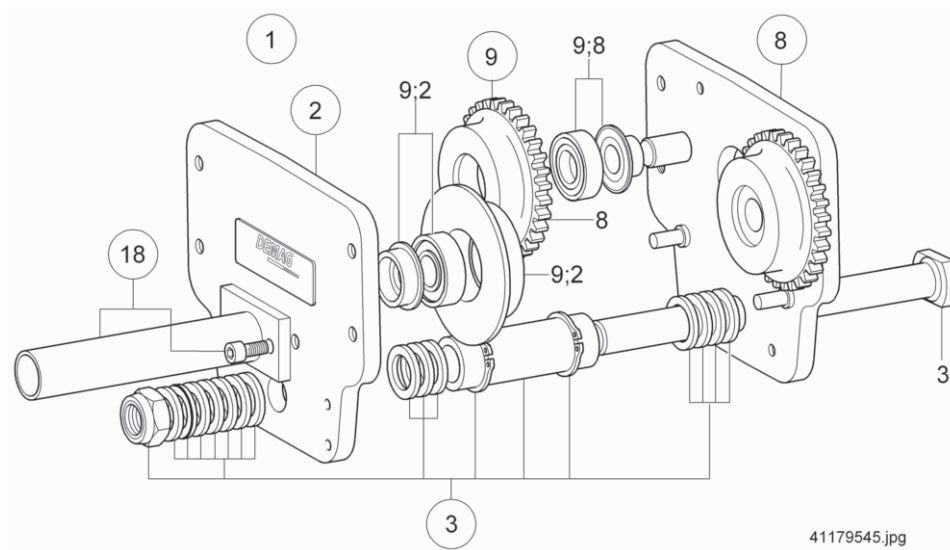
# Low-headroom monorail hoist

## Trolley size 11 EKDK

### Flange width 91 – 143 mm (3.58 - 5.63 in)

Suitable for Demag chain hoist  
 DKUN 10-800/1000, 1/1 reeving  
 DKUN 10-630, 1/1 and 2/1 reeving

Trolley A



Item no.	Part no.	Quantity	Designation	Material	Standard
1	84010444	1	Trolley w/universal wheels w/o crossbar	EU11	
2	84010844	1	Side plate w/universal wheels	plain	c/w items 2, 8
3	83995144	1	Crossbar Fl.W. 91 - 143 (3.58 - 5.63 in)	EKDK10	
8	84010744	1	Side plate w/universal wheels	geared	
9	84015033	1	Travel wheel set, universal		
18	83973733	1	Current collector set	400	
32	83913033	1	Supporting roller unit set		

22251025.tbl

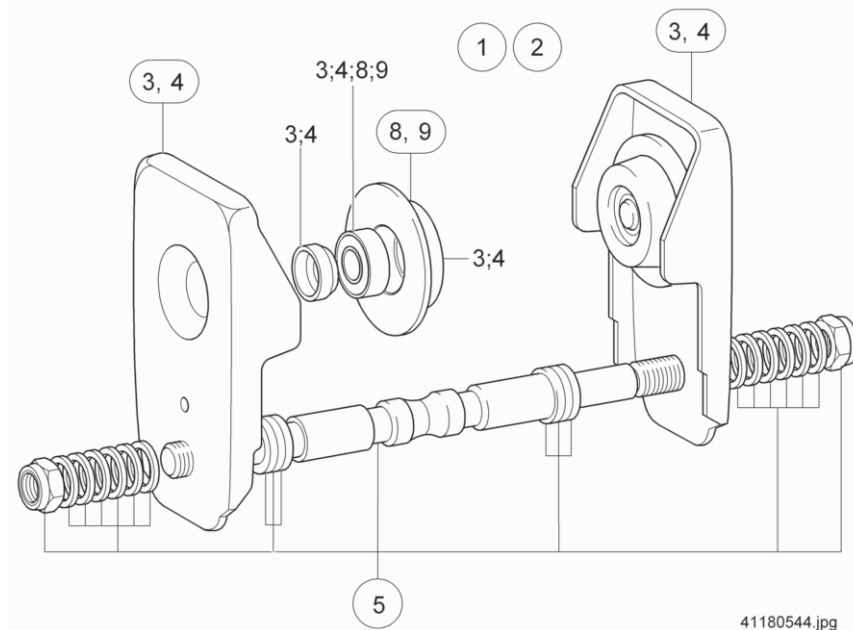
# Low-headroom monorail hoist

Only to be used with trolley A

## Trolley size 6/2 EKDK

Flange width 91 – 143 mm (3.58 - 5.63 in)

Trolley B



Item no.	Part no.	Quantity	Designation	Material	Standard
1	83983944	1	Trolley w/cylindrical wheels w/o crossbar	RU 6/2	c/w item 3
2	83984044	1	Trolley w/conical wheels w/o crossbar	RU 6/2	c/w item 4
3	83982544	2	Side plate w/cylindrical wheel plain	RU 6/2	
4	83982444	2	Side plate w/conical wheel plain	RU 6/2	
5	83983344	1	Crossbar Fl.W. 91 - 143 (3.58 - 5.63 in)	RKDK	
8	75212133	1	Travel wheel set, cylindrical 65 plain		
9	75212233	1	Travel wheel set, conical 65 plain		

22251026.tbl

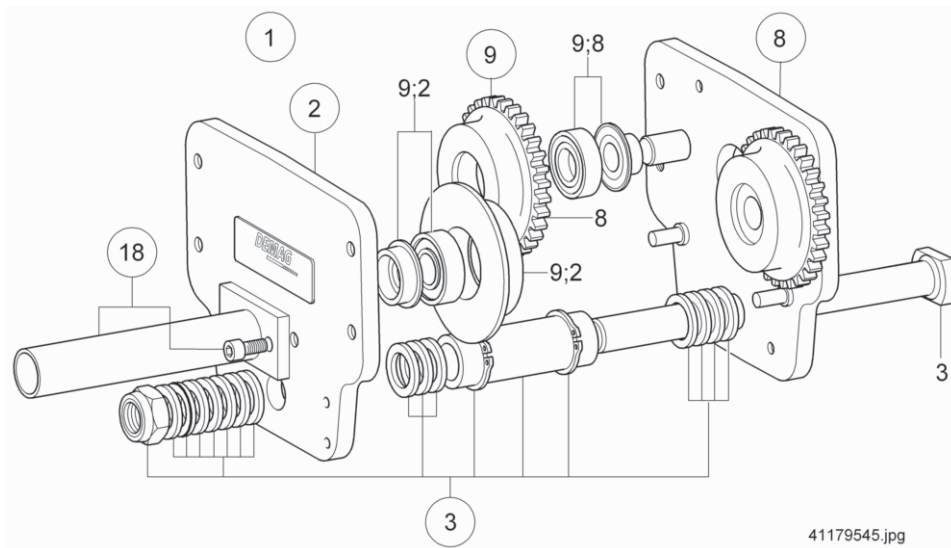
# Low-headroom monorail hoist

## Trolley size 11 EKDK

### Flange width 144 – 300 mm (5.67 - 11.81 in)

Suitable for Demag chain hoist  
 DKUN 10-800/1000, 1/1 reeving  
 DKUN 10-630, 1/1 and 2/1 reeving

Trolley A



Item no.	Part no.	Quantity	Designation	Material	Standard
1	84010444	1	Trolley w/universal wheels w/o crossbar	EU11	
2	84010844	1	Side plate w/universal wheels	plain	c/w items 2, 8
3	83995244	1	Crossbeam Fl.W. 144 - 200 (5.67 - 7.87 in)	EKDK10	
3	83995344	1	Crossbeam Fl.W. 201 - 300 (7.91 -11.81 in)	EKDK10	
8	84010744	1	Side plate w/universal wheels	geared	
9	84015033	1	Travel wheel set, universal		
18	83973733	1	Current collector set	400	

22251027.tbl

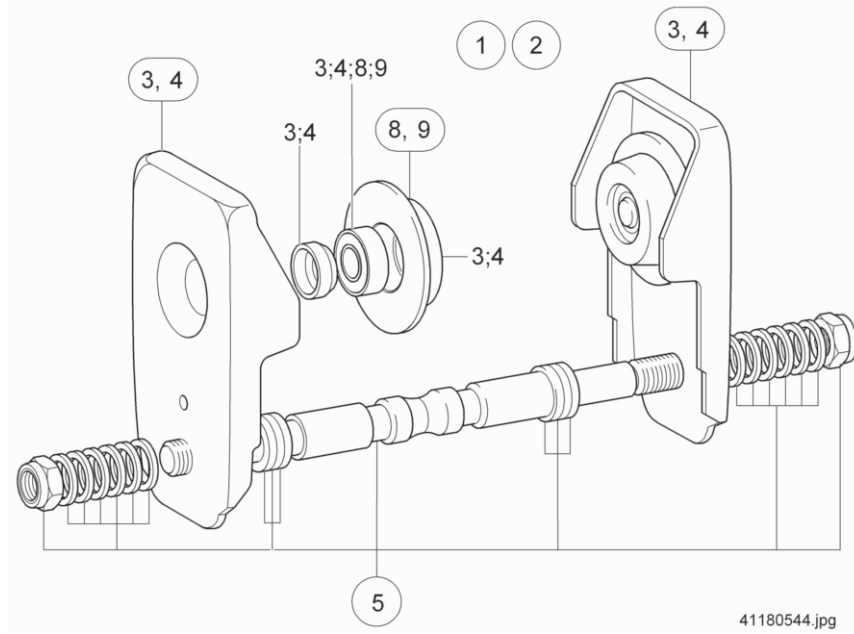
# Low-headroom monorail hoist

Only to be used with trolley A

## Trolley size 6/2 EKDK

Flange width 144 – 300 mm (5.67 - 11.81 in)

Trolley B



Item no.	Part no.	Quantity	Designation	Material	Standard
1	83983944	1	Trolley w/cylindrical wheels w/o crossbar	RU 6/2	c/w item 3
2	83984044	1	Trolley w/conical wheels w/o crossbar	RU 6/2	c/w item 4
3	83982544	2	Side plate w/cylindrical wheel plain	RU 6/2	
4	83982444	2	Side plate w/conical wheel plain	RU 6/2	
5	83983444	1	Crossbar Fl.W. 144 - 200 (5.67 - 7.87 in)	RKDK	
5	83983544	1	Crossbar Fl.W. 201 - 300 (7.91 - 11.81 in)	RKDK	
8	75212133	1	Travel wheel set, cylindrical 65 plain		
9	75212233	1	Travel wheel set, conical 65 plain		

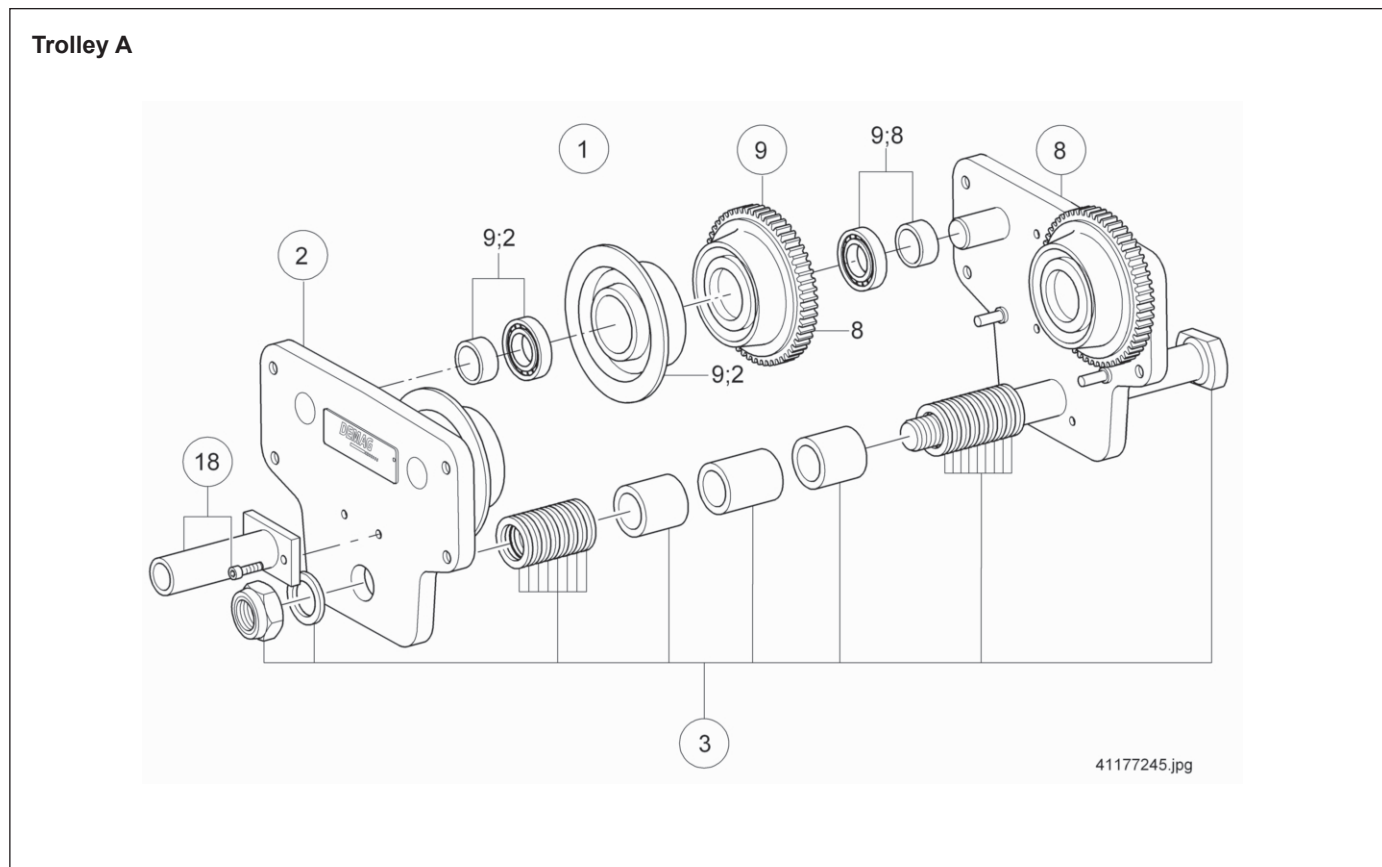
22250027.tbl

# Low-headroom monorail hoist

## Trolley size 22 EKDK

Flange width 82 – 300 mm (2.23 - 11.81 in)

Suitable for Demag chain hoist  
DKUN 10-800/1000, 2/1 reeving



Item no.	Part no.	Quantity	Designation	Material	Standard
1	84011444	1	Trolley w/universal wheels w/o crossbar	EU22	
2	84011644	1	Side plate w/universal wheels	plain	
3	83996344	1	Crossbar Fl.W. 82 - 143 (3.23 - 5.63 in)	EKDK	
3	83996444	1	Crossbar Fl.W. 144 - 200 (5.67 - 7.87 in)	EKDK	
3	83996544	1	Crossbar Fl.W. 201 - 300 (7.91 - 11.81 in)	EKDK	
8	84011744	1	Side plate w/universal wheels	geared	
9	84017033	1	Travel wheel set, universal		
18	83973733	1	Current collector set	400	

22251028.tbl

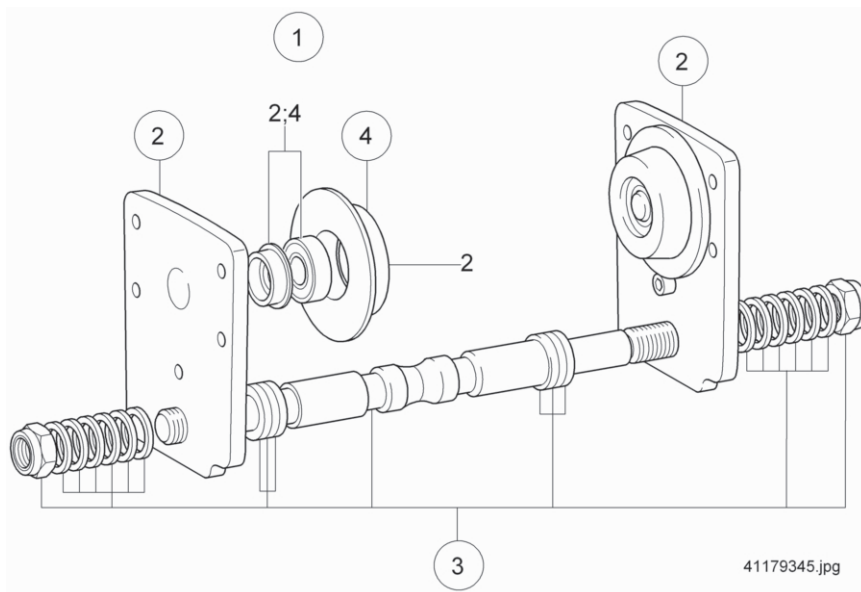
# Low-headroom monorail hoist

Only to be used with trolley A

## Trolley size 11/2 EKDK

Flange width 82 – 300 mm (3.23 - 11.81 in)

Trolley B

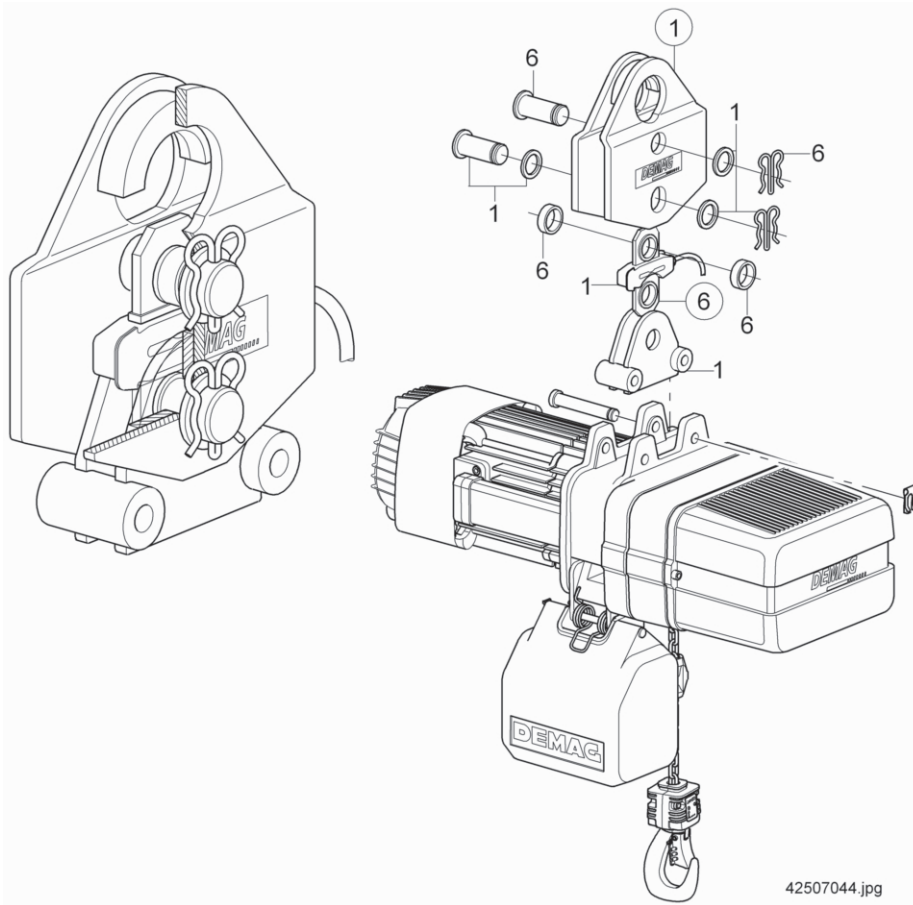


Item no.	Part no.	Quantity	Designation	Material	Standard
1	84011244	1	Trolley w/universal wheels w/o crossbar		c/w item 2
2	84010944	2	Side plate w/universal wheel plain		
3	83985144	1	Crossbar Fl.W. 82 - 143 (3.23 - 5.63 in)		RKDK
3	83985244	1	Crossbar Fl.W. 144 - 200 (5.67 - 7.87 in)		RKDK
3	83985344	1	Crossbar Fl.W. 201 - 300 (7.91 - 11.81 in)		RKDK
4	75212333	1	Travel wheel set, universal 80 plain		

22251024.tbl

# Strain gauge carrier link ZMS 1250

## 1/1 reeving



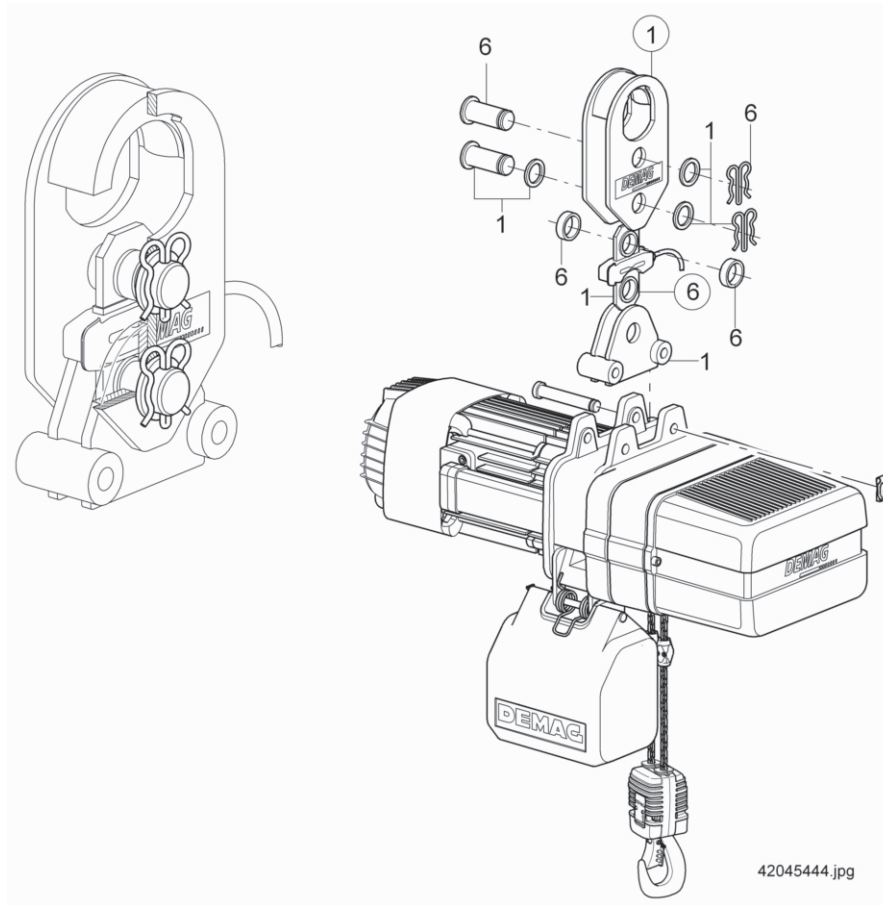
Item no.	Part no.	Quantity	Designation	Material	Standard
1	83761433	1	Strain gauge carrier link set	DK10	
6	49139133	1	Strain gauge carrier link set ZMS		

22251030.tbl



# Strain gauge carrier link ZMS 2500

## 2/1 reeving

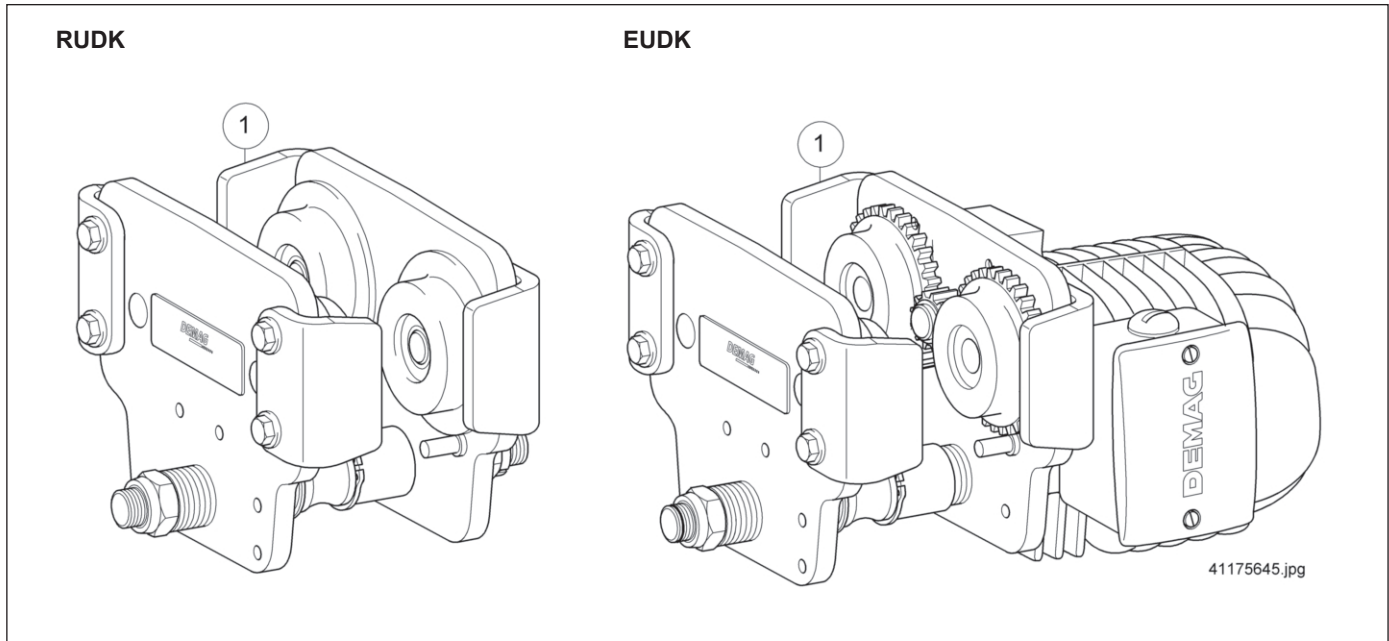


42045444.jpg

Item no.	Part no.	Quantity	Designation	Material	Standard
1	83761833	1	Strain gauge carrier link set DK10	DK16	
6	49139233	1	Strain gauge carrier link set ZMS		

22251031.tbl

# Drop stop fittings RU/EUDK



Item no.	Part no.	Quantity	Designation	Material	Standard
1	83969744	1	Drop stop set size 11		
1	83969844	1	Drop stop set size 22		

22251029.tbl



**The current addresses of the sales offices in Germany and the subsidiaries and agencies worldwide can be found on the Demag Cranes & Components homepage at [www.demagcranes.com/Contact](http://www.demagcranes.com/Contact)**

**Demag Cranes and Components GmbH**

29201 Aurora Road

Cleveland, Ohio 44139

Telephone: (440) 248-2400

Fax: (440) 248-3086

Internet: <http://www.demag-us.com>