

Euro gauge

Liquid filled industrial pressure gauge

Model : P258 series

Spec. sheet no. PD02-13

Service intended

P258 series are suitable for corrosive environments.
Typical application includes : Chemical, petro-chemical, refining process, power generation, marine and food industry. The filled liquid absorbs vibration and pulsation.



Nominal diameter

63, 80, 100 and 160 mm

Accuracy

P2582 (63 mm) and P2583 (80 mm) : ± 1.6 % of full scale
P2584 (100 mm) and P2586 (160 mm) : ± 0.5 % of full scale
 ± 1.0 % of full scale

Scale range (MPa, kPa, bar)

63 and 80 mm : 0.1 ~ 0 to 0 ~ 100 MPa
100 and 160 mm : 0.1 ~ 0 to 0 ~ 200 MPa

Working pressure

Steady : 75 % of full scale (63 and 80 mm)
100 % of full scale (100 and 160 mm)
Over range protection : 130 % of full scale

Filling liquid

Glycerin

Working temperature

Ambient : -20 ~ 65 °C (With glycerin filling)
-40 ~ 65 °C (With silicone filling)
Fluid : Max. 100 °C (With glycerin filling)
Max. 100 °C (With silicone filling)

Degree of protection

EN60529/IEC529/IP67
EN60529/IEC529/IP66

Temperature effect

Accuracy at temperature above and below the reference temperature (20 °C) will be effected by approximately ± 0.4 % per 10 °C of full scale



Standard features

Pressure connection

Stainless steel (316SS)

Element

Stainless steel (316SS),
Model : P2584 (100 mm) and P2586 (160 mm)
<10 MPa : C type bourdon tube
 ≥ 10 MPa : Helical type bourdon tube
Model : P2582 (63 mm) and P2583 (80 mm)
<6 MPa : C type bourdon tube
 ≥ 6 MPa : Helical type bourdon tube

Blowout protection

Back, Rubber disc for 80, 100 and 160 mm
Top, Rubber disc for 63 mm

Case

Stainless steel (304SS)

Cover

Stainless steel (304SS)
Bayonet type

Window

Laminated safety glass

Movement

Stainless steel

Dial

White aluminium with black graduations

Pointer

Black painted aluminium alloy

Process connection

63 mm : $\frac{1}{8}$ ", $\frac{1}{4}$ " PT, NPT and PF
80 mm : $\frac{1}{4}$ ", $\frac{3}{8}$ " PT, NPT and PF
100 and 160 mm : $\frac{1}{4}$ ", $\frac{3}{8}$ ", $\frac{1}{2}$ " PT, NPT and PF

Certificates

ATEX Ex II GD c IIc TX
Pressure equipment directive (2014/68/EU)-Annex III Module H

Option

Zero adjustable pointer
(Only available with diameter 100 and 160 mm)
Zero adjustment (External) : 100 and 160 mm
Pressure connection and element : Monel
(Only available with diameter 100 and 160 mm)
Silicone filling
Maximum Pointer
(Not applicable to under 3 bar, Only available with diameter 100 mm)

WISE[®]

1. Base model

P258 Liquid filled industrial pressure gauge

2. Nominal diameter (mm)

2	63
3	80
4	100
6	160

3. Type of mounting

A	Bottom connection, direct
B	Bottom connection, surface, case mounting plate
C	Bottom connection, flush, cover mounting plate
F	Center back connection, direct, only available with diameter 63 mm
G	Lower back connection, direct
H	Center back connection, flush, case center mounting plate, only available with diameter 63 mm
I	Center back connection, flush, case center mounting plate with bracket only available with diameter 63 mm
J	Center back connection, flush, cover mounting plate, only available with diameter 63 mm
L	Lower back connection, flush, case center mounting plate
M	Lower back connection, flush, case center mounting bracket
N	Lower back connection, flush, cover mounting plate
V	Center back connection, flush, cover mounting bracket, only available with diameter 63 mm
W	Lower back connection, flush, cover mounting bracket

4. Accuracy

2	±0.5 % of full scale, only available with diameter 100 and 160 mm, not available with range 0.4 and 0.5 bar
3	±1.0 % of full scale, not available with diameter 63 and 80 mm
4	±1.6 % of full scale, only available with diameter 63 and 80 mm

5. Process connection

B	1/8"
C	1/4"
D	3/8", not available with diameter 63 mm
E	1/2", not available with diameter 63 and 80 mm

6. Connection type

B	PF
C	PT
D	NPT
F	BSPT
G	BSP (G)
Z	Other

7. Unit

H	bar
I	MPa
J	kPa
Z	Other

8. Range

XXX Refer to pressure unit and range table

9. Pressure connection material and dial color

3	316SS and 2 colors
4	316L SS and 2 colors
7	316SS and 3 colors
8	316L SS and 3 colors
Z	Monel (Only available with diameter 100 and 160 mm)

10. Option

0	None
1	Accessories
2	Silicone filling
3	Accessories and silicone filling

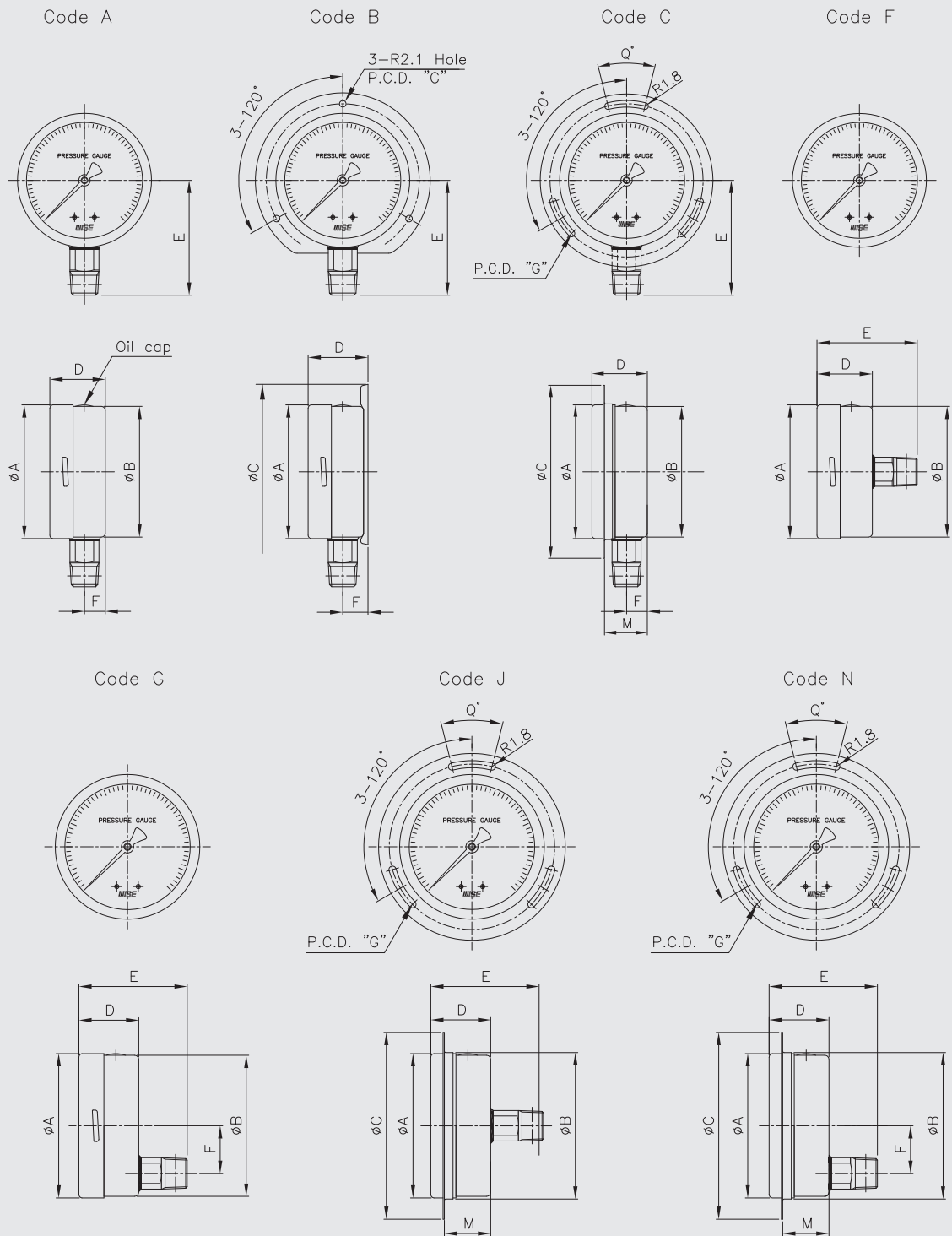
11. Adjustable pointer

0	None
1	Zero adjustable pointer
2	External zero adjustment

Sample ordering code

1	2	3	4	5	6	7	8	9	10	11
P258	4	A	3	C	D	H	XXX	3	0	1

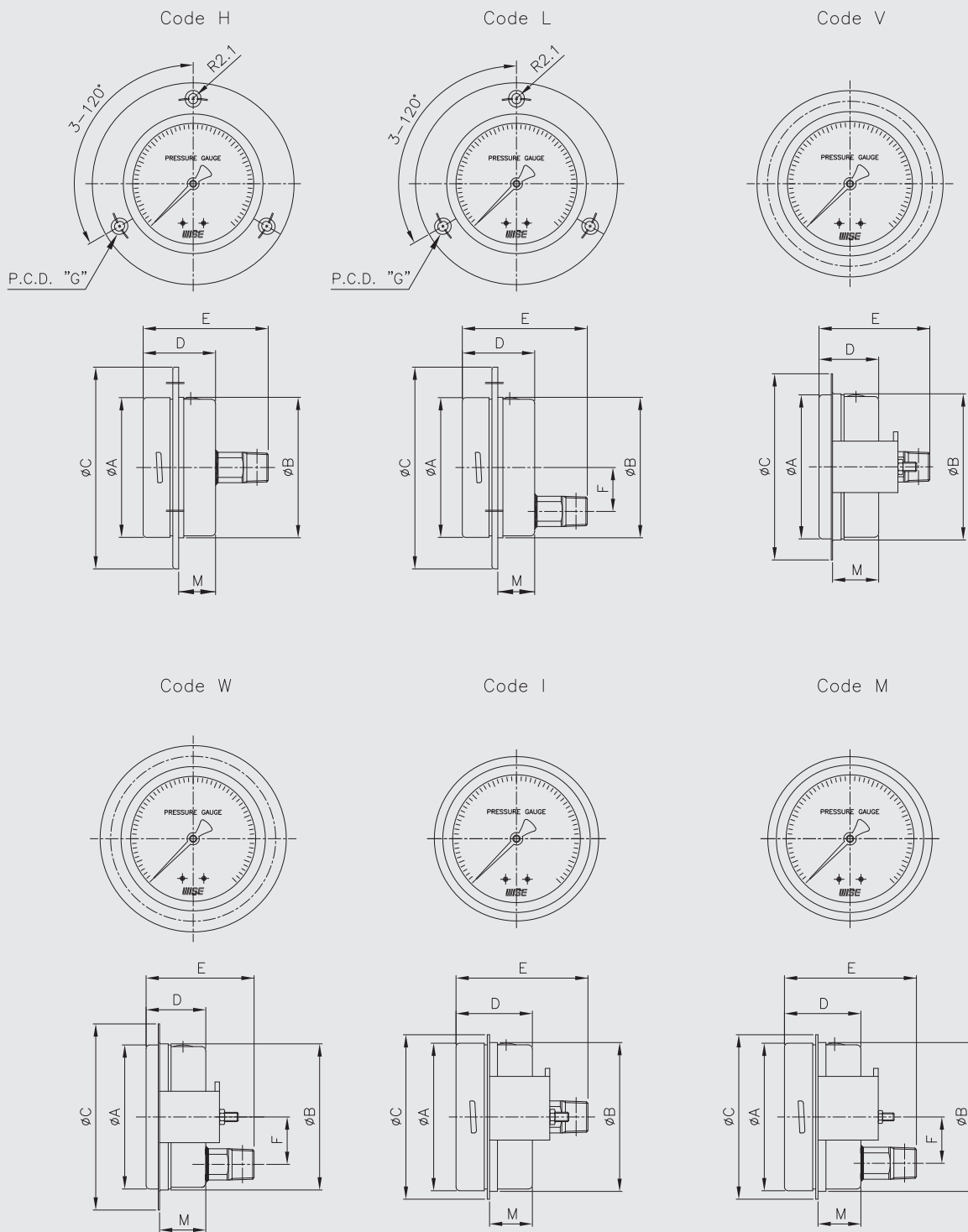
P258 : Type of mounting (1/3)



Dimensions (mm)

Dial size	Available code	A	B	C	D±2	E±2	F±1	M	G	H	Q
63	A	64	62		34	61	11				
	B	64		85	37	61	15		74~75		
	C	64	62	86	34	61	11	28	75		15
	F	64	62		34	64					
	G	64	62		34	64	13				
	J	64	66	86	34	64		28	75		15
	N	64	66	86	34	64	13	28	75		15

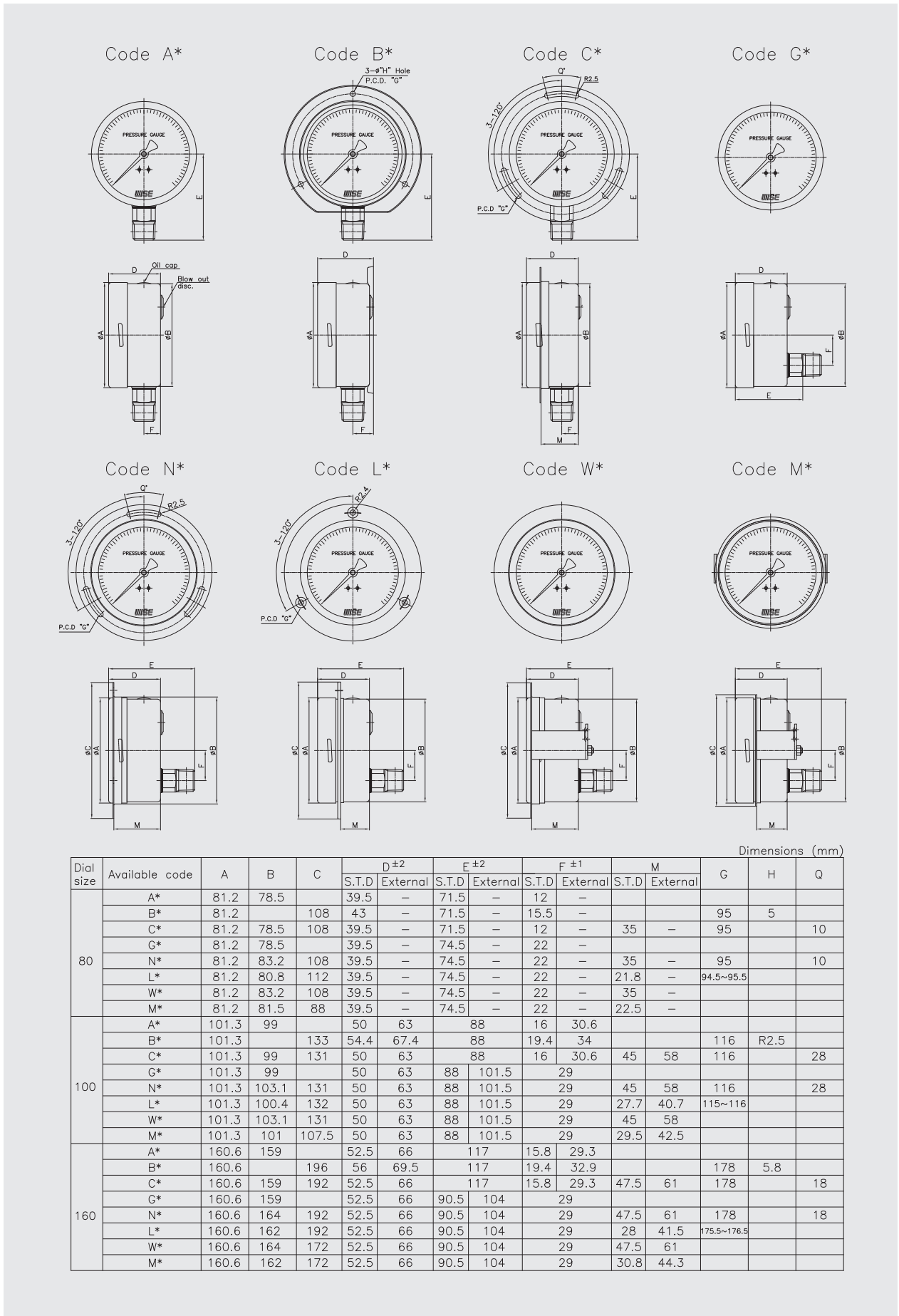
P258 : Type of mounting (2/3)



Dimensions (mm)

Dial size	Available code	A	B	C	D ± 2	E ± 2	F ± 1	M	G
63	H	64	64.5	92	34	64		16.8	77~78
	L	64	64.5	92	34	64	13	16.8	77~78
	V	64	66	86	34	64			28
	W	64	66	86	34	64	13		28
	I	64	64.5	71	34	64			18.5
	M	64	64.5	71	34	64	13		18.5

P258 : Type of mounting (3/3)



Dimensions (mm)

Dial size	Available code	A	B	C	D ±2		E ±2		F ±1		M		G	H	Q
					S.T.D	External	S.T.D	External	S.T.D	External	S.T.D	External			
80	A*	81.2	78.5		39.5	-	71.5	-	12	-					
	B*	81.2		108	43	-	71.5	-	15.5	-			95	5	
	C*	81.2	78.5	108	39.5	-	71.5	-	12	-	35	-	95		10
	G*	81.2	78.5		39.5	-	74.5	-	22	-					
	N*	81.2	83.2	108	39.5	-	74.5	-	22	-	35	-	95		10
	L*	81.2	80.8	112	39.5	-	74.5	-	22	-	21.8	-	94.5~95.5		
	M*	81.2	81.5	88	39.5	-	74.5	-	22	-	22.5	-			
100	A*	101.3	99		50	63		88	16	30.6					
	B*	101.3		133	54.4	67.4		88	19.4	34			116	R2.5	
	C*	101.3	99	131	50	63		88	16	30.6	45	58	116		28
	G*	101.3	99		50	63	88	101.5		29					
	N*	101.3	103.1	131	50	63	88	101.5		29	45	58	116		28
	L*	101.3	100.4	132	50	63	88	101.5		29	27.7	40.7	115~116		
	M*	101.3	101	107.5	50	63	88	101.5		29	29.5	42.5			
160	A*	160.6	159		52.5	66		117	15.8	29.3					
	B*	160.6		196	56	69.5		117	19.4	32.9			178	5.8	
	C*	160.6	159	192	52.5	66		117	15.8	29.3	47.5	61	178		18
	G*	160.6	159		52.5	66	90.5	104		29					
	N*	160.6	164	192	52.5	66	90.5	104		29	47.5	61	178		18
	L*	160.6	162	192	52.5	66	90.5	104		29	28	41.5	175.5~176.5		
	M*	160.6	162	172	52.5	66	90.5	104		29	47.5	61			

Pressure unit and range table

Range and code	Unit and code			Nominal diameter			
	H : bar	I : MPa	J : kPa	63 mm	80 mm	100 mm	160 mm
026	-1 ~ 0	-0.1 ~ 0	-100 ~ 0	O	O	O	O
123	0 ~ 0.4	0 ~ 0.04	0 ~ 40	X	X	O	Δ
040	0 ~ 0.5	0 ~ 0.05	0 ~ 50	X	X	O	Δ
041	0 ~ 1	0 ~ 0.1	0 ~ 100	O	O	O	O
133	0 ~ 1.6	0 ~ 0.16	0 ~ 160	X	X	O	O
042	0 ~ 2	0 ~ 0.2	0 ~ 200	O	O	O	O
134	0 ~ 2.5	0 ~ 0.25	0 ~ 250	X	X	O	O
043	0 ~ 3	0 ~ 0.3	0 ~ 300	O	O	O	O
044	0 ~ 4	0 ~ 0.4	0 ~ 400	O	O	O	O
045	0 ~ 6	0 ~ 0.6	0 ~ 600	O	O	O	O
047	0 ~ 10	0 ~ 1	0 ~ 1,000	O	O	O	O
050	0 ~ 15	0 ~ 1.5	X	O	O	O	O
143	0 ~ 16	0 ~ 1.6	X	O	O	O	O
051	0 ~ 20	0 ~ 2	X	O	O	O	O
052	0 ~ 25	0 ~ 2.5	X	O	O	O	O
054	0 ~ 35	0 ~ 3.5	X	O	O	O	O
151	0 ~ 40	0 ~ 4	X	O	O	O	O
055	0 ~ 50	0 ~ 5	X	O	O	O	O
056	0 ~ 60	0 ~ 6	X	O	O	O	O
057	0 ~ 70	0 ~ 7	X	O	O	O	O
058	0 ~ 100	0 ~ 10	X	O	O	O	O
059	0 ~ 150	0 ~ 15	X	O	O	O	O
060	0 ~ 160	0 ~ 16	X	O	O	O	O
062	0 ~ 250	0 ~ 25	X	O	O	O	O
064	0 ~ 350	0 ~ 35	X	O	O	O	O
065	0 ~ 400	0 ~ 40	X	O	O	O	O
066	0 ~ 500	0 ~ 50	X	O	O	O	O
067	0 ~ 600	0 ~ 60	X	O	O	O	O
068	0 ~ 700	0 ~ 70	X	O	O	O	O
070	0 ~ 1,000	0 ~ 100	X	O	O	O	O
074	0 ~ 1,600	0 ~ 160	X	X	X	O	O
075	0 ~ 2,000	0 ~ 200	X	X	X	O	O
006	-1 ~ 0.6	-0.1 ~ 0.06	-100 ~ 60	X	X	O	O
027	-1 ~ 1	-0.1 ~ 0.1	-100 ~ 100	O	O	O	O
007	-1 ~ 1.5	-0.1 ~ 0.15	-100 ~ 150	X	X	O	O
028	-1 ~ 2	-0.1 ~ 0.2	-100 ~ 200	O	O	O	O
029	-1 ~ 3	-0.1 ~ 0.3	-100 ~ 300	O	O	O	O
030	-1 ~ 4	-0.1 ~ 0.4	-100 ~ 400	O	O	O	O
010	-1 ~ 5	-0.1 ~ 0.5	-100 ~ 500	O	O	O	O
031	-1 ~ 6	-0.1 ~ 0.6	-100 ~ 600	O	O	O	O
014	-1 ~ 9	-0.1 ~ 0.9	-100 ~ 900	O	O	O	O
032	-1 ~ 10	-0.1 ~ 1	-100 ~ 1,000	O	O	O	O
033	-1 ~ 15	-0.1 ~ 1.5	-100 ~ 1.5 MPa	O	O	O	O
034	-1 ~ 20	-0.1 ~ 2	-100 ~ 2 MPa	O	O	O	O
017	-1 ~ 24	-0.1 ~ 2.4	-100 ~ 2.4 MPa	O	O	O	O
035	-1 ~ 25	-0.1 ~ 2.5	-100 ~ 2.5 MPa	O	O	O	O

O : Available X : Not available Δ : Not available with ±0.5 % of full scale