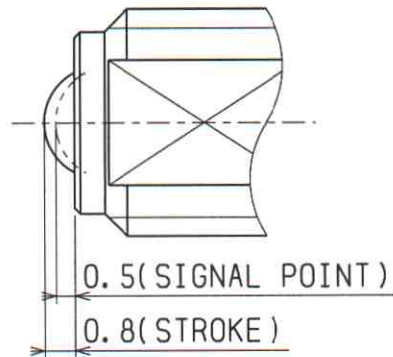


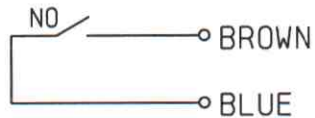
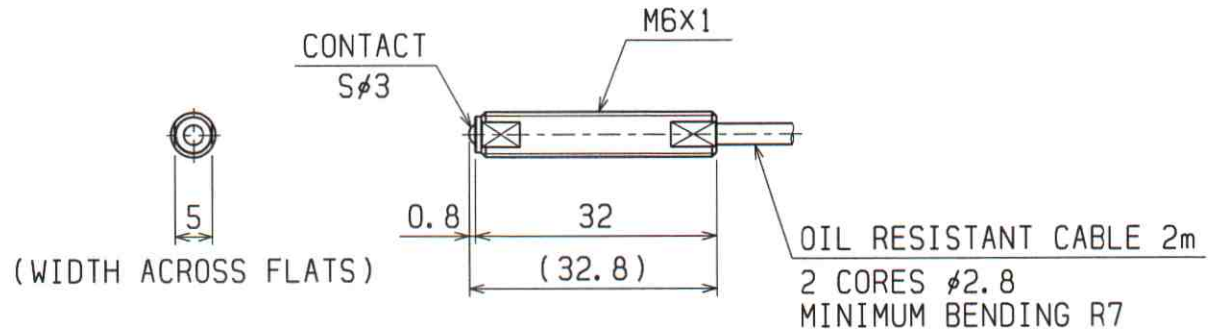
OPERATING MODE : NO(NORMALLY OPEN)
 REPEATABILITY : 0.01mm
 (OPERATING SPEED 50~200mm/min)
 RATING : DC24V
 (Max. 10mA) STATIONARY CURRENT
 (Max. 20mA) INRUSH CURRENT
 BEARING STRUCTURE: CONTACTING BALL TYPE
 CONTACT MATERIAL : SUS440 HRC50~
 CASE MATERIAL : SUS303
 SIGNAL POINT : 0.5mm FROM SURFACE
 STROKE : 0.8mm
 CONTACT FORCE : min.6N max.13N



DEGREE OF PROTECTION: IEC IP40



DETAIL OF CONTACT POINT
 SCALED:5/1



ACCESSORY
 •HEXAGONAL NUT 2EA
 M6X1(e:11.5/s:10/m:3.6)
 •TOOTHED WASHER 1EA

⚠ PLEASE DO NOT USE EDGE SURFACE AS A STOPPER

CHK	DRA	A4	NAME	BALL PLUNGER WITH A BUILT-IN SWITCH
Kanno	15.04.20 SUSAKI	1:1	DRAWING NUMBER	BPO60A
			METROL LTD.	METROL