

Pull Cord Switch

DUK
DITTELBACH UND KERZLER

Interchangeable
to the AEG-pullcord switch
„NSR“

LHPEW-xx/x-B

LHPEW-xx/x-B



The design of these pull cord switches considers heavy duty service. Enclosures made of most stable, impact resistant, thick walled glass fibre-reinforced polyester (BMC) (type LHP...) or of cast iron (type LHM...) are the best guarantees for long years of reliable service. Both types are IP67-protected (water- and dust proof).

Pull cord switches of this type are for double-sided rope mounting with a rope length of max. 2 x 50 metres. Pulling on one of these ropes actuates all contacts via snap action mechanism independent on the direction of pulling. Simultaneously with the switching over the latching is being automatically effected. The pulling direction is indicated by the position of the latched operating lever. The direct opening system (positive drive) forces the NC-contacts into open position under all circumstances.

Each of these switches will be equipped individual with up to 4 micro switches. Each micro switch contains either 1NC plus 1NO contact or alternatively 2NC. They commute independent on the direction of pull cord actuation. The contacts are made of silver, optional is a gold coating. The special design let the contact surfaces rub with every actuation, it effects the self cleaning of the surfaces. Each micro switch is certified by VDE and CCC and is bearing their signs:



RegNr. 6671 or 6827 or 40026213



The unrivalled long pull cord travel and the necessary high force for actuation prevent unwanted stops caused by solids falling onto the pull cord.

The guarantees for an extended, reliable life time are most important details like sealing rings protecting the shafts, an extra hard rubber gasket in the lid, shafts made of stainless steel, screws made of stainless steel, loss-protected lid-screws....

- **Impact resistant enclosure of BMC**
optional cast iron
- **IP67 protected**
- **Up to 2 x 50 metre pull cord**
- **Up to 4 contacts NC plus 4 NO**
- **Snap action contacts**
- **Direct opening, positive drive**



Options

- Signalling lamp
- Bus System
- Explosion protected version (ATEX) separate leaflet

DITTELBACH UND KERZLER GmbH & Co. KG Talstrasse 27 D-35394 Giessen

Tel.: +49 641 97224-0

Fax: +49 641 97224-22

Web: www.DUK.eu

E-mail: info@DUK.eu

Pull Cord Switch

LHPEw-xx/x-B

LHPw-xx/x-B



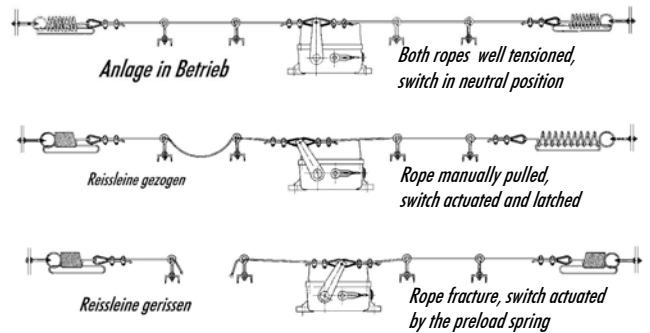
Selection table

Switch type	Contacts		Contact surface
	NC	NO	
FRP (BMC) enclosure			
LHPEw-10/1-B	1	1	Silver
LHPEw-18/1-B	2	-	Silver
LHPEw-10/2-B	2	2	Silver
LHPEw-18/2-B	4	-	Silver
LHPw-10/3-B	3	3	Silver
LHPw-10/4-B	4	4	Silver
Cast iron enclosure			
LHMEw-10/1-B	1	1	Silver
LHMEw-18/1-B	2	-	Silver
LHMEw-10/2-B	2	2	Silver
LHMEw-18/2-B	4	-	Silver
LHMw-10/3-B	3	3	Silver
LHMw-10/4-B	4	4	Silver
LHMEw-13/1-B	1	1	Gold
LHMEw-19/1-B	2	-	Gold
LHMEw-13/2-B	2	2	Gold
LHMEw-19/2-B	4	-	Gold
LHPw-13/3-B	3	3	Gold
LHPw-13/4-B	4	4	Gold

Cast iron enclosure

LHMEw-10/1-B	1	1	Silver
LHMEw-18/1-B	2	-	Silver
LHMEw-10/2-B	2	2	Silver
LHMEw-18/2-B	4	-	Silver
LHMw-10/3-B	3	3	Silver
LHMw-10/4-B	4	4	Silver
LHMEw-13/1-B	1	1	Gold
LHMEw-19/1-B	2	-	Gold
LHMEw-13/2-B	2	2	Gold
LHMEw-19/2-B	4	-	Gold
LHMw-13/3-B	3	3	Gold
LHMw-13/4-B	4	4	Gold


The demands of the European standards EN 60947-5 and DIN EN 418 for automatic emergency stop command due to rope fracture are fulfilled when used in combination with preload springs SPF-W



Technical Data

According to standards EN 60 947 / UVV-VBG10/ DIN EN 418 if equipped with 2 pretensioning springs type SPF-W

Approval of micro switches  Reg.Nr.: 6671, 6827, 40026213 

Approval GOST R 

I_{th} (thermal current) 10A

Rating Silver: 400VAC 6A / 230VAC 8A / 24VDC 10A / 80VDC 3 A

Minimum Current Gold: 1mA bei 6VDC

Utilization Category Silver: AC-15 230V 1A DC-13 110V 0,5A
Gold: AC-12 230V 250mA DC-12 110V 250mA

U_i Rated Insulation Voltage 400V

U_{imp} Rated Impulse 4kV

Terminals Screw, each terminal clamp 1 or 2 cables, each max 2,5mm²

Protection IP67 acc. EN 60529, at least IK08 acc. EN 66262

Cable Entries 2 x M25-threaded, both EXW closed by IP67-protecting plugs

Housing Material Fibreglass Reinforced Polyester (LHP....)

Cast Iron (LHM...)

Colours yellow RAL 1003 or red RAL 3000

Weight / Mass approx. 2.2 kg (LHP...), 5.9 kg (LHM...)

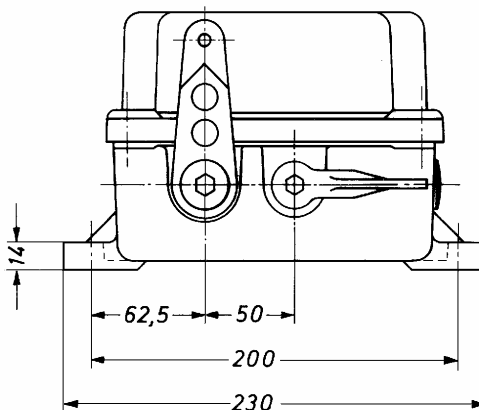
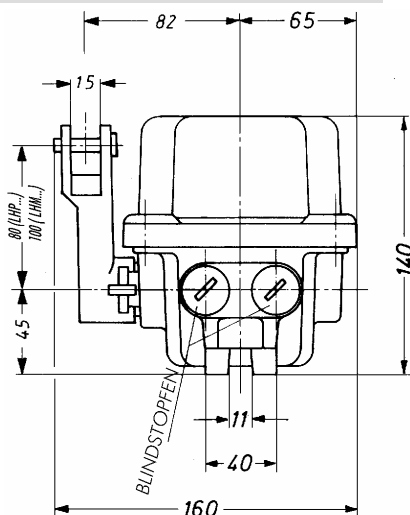
Mounting position free

Ambient operation temperature -40°C up to +85°C (-55°C on request)

Basic values for calculation of SIL or PL according EN 13849 and IEC 61508:

B₁₀ 80000 cycles

Share of dangerous faults 0,2



DITTELBACH UND KERZLER GmbH & Co. KG

Talstrasse 27

D-35394 Giessen

Tel.: +49 641 97224-0

Fax: +49 641 97224-22

Web: www.DUK.eu

E-mail: info@DUK.eu