

# Lead-Free\* 250 PSI WWP Iron Body Check Valves

Fire Protection Valve • UL listed FM Approved  
Double-Door • Wafer Style • Rubber Seat • Spring Actuated

CERTIFIED LEAD-FREE\* BY WQA TO NSF/ANSI 372  
UL/ULC LISTED • FM APPROVED\*

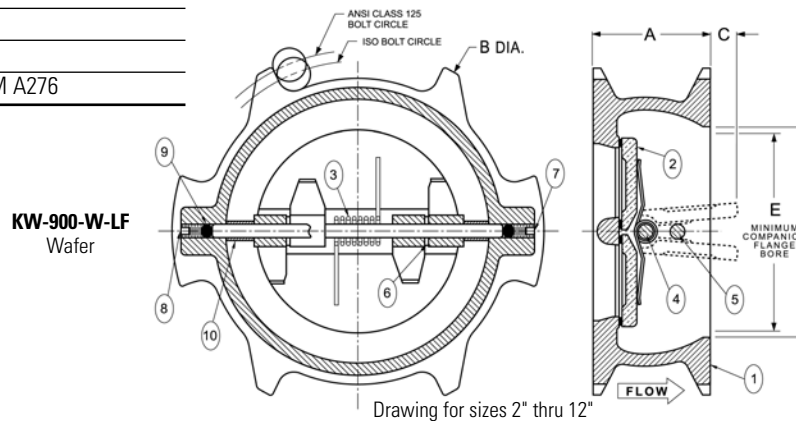


**C USA**  
**COMPONENT LEAD-FREE**

| MATERIAL LIST           |  |
|-------------------------|--|
| PART                    | SPECIFICATION  |
| 1. Body                 | Ductile Iron ASTM A536, Grade 65-45-12 - 2" thru 12"<br>14" thru 16" Cast Iron ASTM 126, Class B w/ Buna-N (Nitrile) resilient seat molded to body |
| 2. Disc                 | Bronze ASTM B584 Alloy C87600 (2½" - 12")<br>Aluminum Bronze ASTM B148, C95200 (14"-16")   |
| 3. Torsion Spring       | Stainless Steel UNS 31600 ASTM A313  |
| 4. Hinge Pin            | Stainless Steel UNS 31600 ASTM A276  |
| 5. Stop Pin             | Stainless Steel UNS 31600 ASTM A276  |
| 6. Thrust Bearing       | Stainless Steel UNS 31600 ASTM A240  |
| 7. Hinge Pin Retainer   | Stainless Steel UNS 31600  |
| 8. Stop Pin Retainer    | Stainless Steel UNS 31600  |
| 9. Stabilization Sphere | Buna-N   |
| 10. Spacer              | Stainless Steel UNS S31600 ASTM A276   |



**KW-900-W-LF**  
Wafer Style  
2½" - 12"



## DIMENSIONS—WEIGHTS—QUANTITIES

| Size    | Dimensions |     |       |     |       |     |       |     |        |     | Weight |       |        |
|---------|------------|-----|-------|-----|-------|-----|-------|-----|--------|-----|--------|-------|--------|
|         | A          |     | B     |     | C     |     | D     |     | E      |     | C/V    | Lbs.  | Kg.    |
| In. mm. | In.        | mm. | In.   | mm. | In.   | mm. | In.   | mm. | In.    | mm. |        |       |        |
| 2½ 65   | 2.38       | 60  | 6.00  | 152 | .125  | 3   | 3.50  | 89  | 1.313  | 33  | 108    | 4.3   | 1.95   |
| 3 80    | 2.63       | 67  | 5.63  | 143 | .188  | 5   | 3.875 | 98  | 1.688  | 43  | 178    | 6.1   | 2.77   |
| 4 100   | 2.63       | 67  | 7.75  | 197 | .625  | 16  | 4.75  | 121 | 3.063  | 78  | 440    | 8.8   | 3.99   |
| 5 125   | 3.25       | 83  | 7.56  | 192 | .813  | 21  | 5.50  | 140 | 3.625  | 92  | 560    | 13.0  | 5.90   |
| 6 150   | 3.75       | 95  | 8.63  | 219 | .813  | 21  | 6.25  | 159 | 4.250  | 108 | 840    | 18.0  | 8.16   |
| 8 200   | 5.00       | 127 | 12.25 | 311 | 1.000 | 25  | 8.00  | 203 | 5.500  | 140 | 1600   | 37.0  | 16.78  |
| 10 250  | 5.50       | 140 | 14.75 | 375 | 2.060 | 54  | 10.25 | 257 | 8.500  | 216 | 2700   | 65.0  | 29.48  |
| 12 300  | 7.13       | 181 | 17.38 | 441 | 1.938 | 49  | 12.00 | 305 | 9.250  | 235 | 4700   | 94.0  | 42.64  |
| 14 350  | 7.25       | 184 | 17.75 | 451 | 3.250 | 83  | 14.38 | —   | 12.500 | 330 | 5200   | 200.0 | 90.75  |
| 16 400  | 7.50       | 191 | 20.25 | 514 | 4.500 | 114 | 16.38 | —   | 15.000 | 381 | 7200   | 285.0 | 129.28 |

\*Note: 14" and 16" sizes, 200 PSI WWP, FM approved only – P.O.A.

### Features

- Spring loaded for fast closure, eliminating reverse flow slam and water hammer.
- Easily installed, with gasket, between standard class 125 flanges.
- Only one set of flange studs is needed.
- May be installed in both horizontal and vertical lines with upward flow.

### NOTE:

Twin Disc Check Valves can be installed horizontally or in the vertical position with flow up.

### CAUTION:

For horizontal flow applications, the valve must be installed with disc hinge pin in the vertical position to insure proper operation.

### WARNING:

1. These are not to be used as steam valves
2. Valves are not to be used near a reciprocating air compressor
3. Install 5 pipe diameters minimum downstream from pump discharge or elbows to avoid flow turbulence. Flow straighteners may be required in extreme cases.

### NOTE:

On pump discharge, the preferred check valves are in-line spring loaded.



**KW-900-W-LF**  
Wafer Style  
14" - 16"

