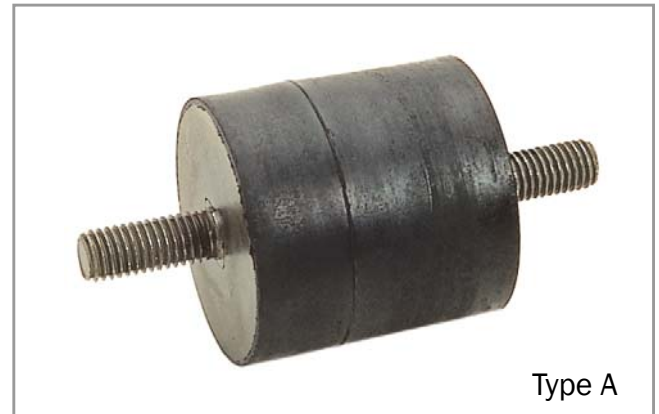


## Features

### Trelleborg Industrial AVS - Bobbins

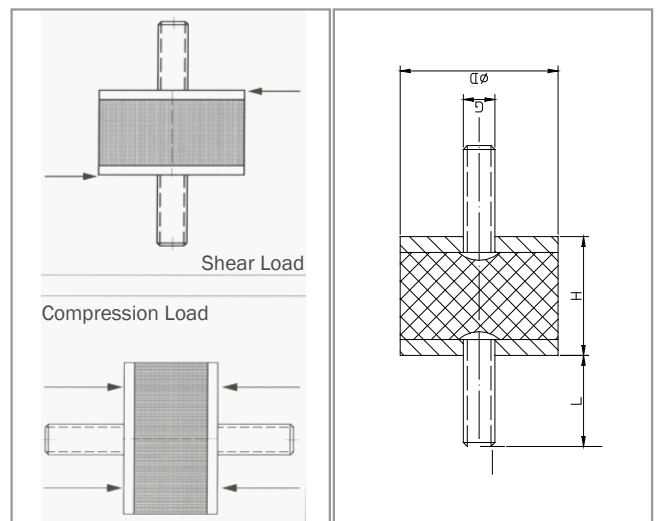
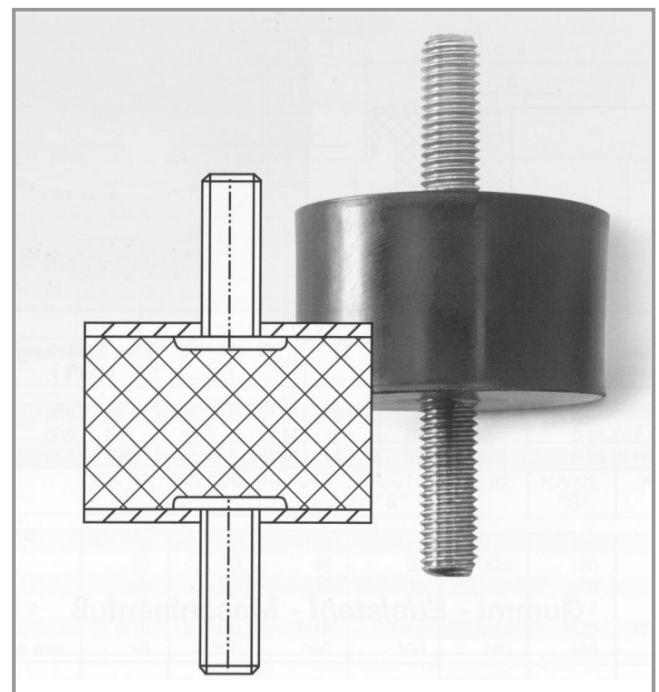
A supplementary range of cylindrical mountings for a wide range of applications. They can be loaded either in compression or shear taking into consideration individual demands for actual applications.

Figures stated are for natural rubber hardness 60° IRH.



### Natural Rubber : 55°/60° shore

Part no.	Dimensions Diameter /Height	Bolt Internal Thread	Bolt Length mm	Compression Load		Shear Load	
				F(Max) N	S(Max) mm	F(Max) N	S(Max) mm
20-01435	A10/10	M4	10	40	0,9	20	2,0
20-01066	A10/15	M4	10	40	1,2	15	3,1
20-01067	A15/10	M4	10	120	0,9	35	2,8
20-01068	A15/15	M4	10	100	1,5	40	3,2
20-00418	A20/10	M6	15/18	170	0,5	70	1,4
20-01226	A20/15	M6	18	160	1,2	70	2,6
20-00541	A20/20	M6	15/18	160	1,7	70	4,5
20-01228	A20/25	M6	15/18	150	2,1	60	6,2
20-00557	A25/10	M6	18	300	0,8	120	1,5
20-00558	A25/15	M6	18	290	1,5	110	2,5
20-00559	A25/20	M6	18	280	2,6	110	3,8
20-01437	A25/25	M6	18	260	2,7	105	5,4
20-01629	A25/30	M6	18	250	3,4	90	6,7
20-01536	A30/15	M8	20	500	0,9	170	2,6
20-01438	A30/20	M8	20	440	1,7	170	3,9
20-01440	A30/25	M8	20	400	2,1	160	5,3
20-01441	A30/30	M8	20	380	2,9	150	6,6
20-00438	A30/40	M8	20	300	4	100	10
20-01423	A40/20	M8	23	900	1,5	300	3,8
20-01443	A40/30	M8	23	700	2,4	300	6,6
20-00563	A40/40	M8	23	650	3,5	260	9
20-01444	A50/20	M10	28	2000	2,1	500	3,6
20-00564	A50/25	M10	28	1400	2,5	500	4,6
20-01445	A50/30	M10	28	1400	3,2	500	6,4
20-01714	A50/35	M10	25	1300	3,5	500	8
20-01446	A50/40	M10	28	1100	3,8	450	8,5
20-00882	A50/45	M10	28	1050	4,1	450	10,1
20-00549	A50/50	M10	28	1050	4,8	420	11,7
20-01447	A70/35	M10	25	2400	4,5	900	9
20-01253	A70/45	M10	28	2300	4,2	900	9,9
20-00547	A75/40	M12	37	2900	3,6	1000	4,9
20-01027	A75/50	M12	37	2800	5,2	1000	11,2
20-00548	A75/55	M12	37	2500	5,2	1000	12,5
20-01259	A100/40	M16	41	6600	3,9	2000	8,2
20-00568	A100/55	M16	41	5100	6,1	2000	12,4



The technical values are to be used for info only.  
If questions, please contact TIAVS.



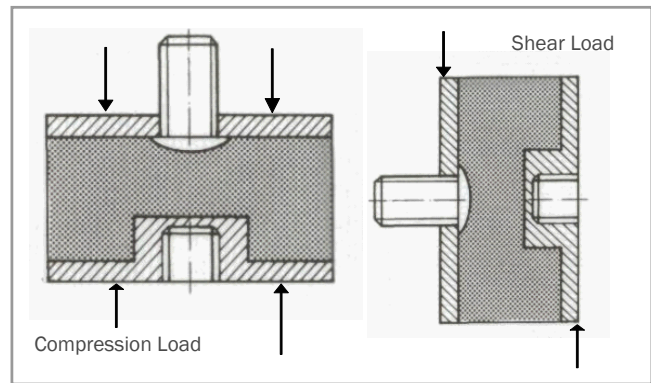
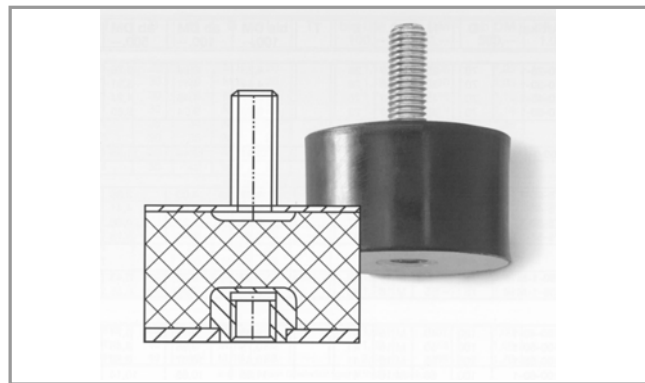
**Features**

**Trelleborg Industrial AVS - Bobbins**

A supplementary range of cylindrical mountings for a wide range of applications. They can be loaded either in compression or shear taking into consideration individual demands for actual applications.

Figures stated are for natural rubber hardness 60° IRH.

The technical values are to be used for info only.  
If questions, please contact TIAVS.



Part no.	Dimensions Diameter/Height	Bolt Internal Thread	Bolt Length mm	Compression Load		Shear Load	
				F(Max) N	S(Max) mm	F(Max) N	S(Max) mm
20-01449	B10/10	M4	10	56	0,9	10	2,3
20-00794	B10/15	M4	10	52	1,5	23	3,8
20-01698	B15/15	M4	10	115	1,4	50	3,8
20-01264	B20/15	M6	10	160	0,9	105	3,8
20-01265	B20/20	M6	18	160	1,2	90	5
20-01266	B20/25	M6	18	150	2,5	90	6,3
20-01267	B25/15	M6	18	290	1,3	160	3,8
20-01268	B25/20	M6	18	280	2,1	145	5
20-00573	B25/25	M6	18	260	2,9	135	6,3
20-01016	B25/30	M6	18	250	3,2	135	7,5
20-01269	B30/15	M8	20	676	1,4	208	3,4
20-00898	B30/20	M6	20	380	1,6	210	5
20-00464	B30/25	M6	20	370	2,3	200	6,3
20-00575	B30/30	M8	20	355	2,8	190	7,5
20-01539	B30/40	M8	20	300	3,2	100	8
20-00466	B40/30	M8	20	600	2,4	340	7,5
20-00821	B40/40	M8	23	600	3,8	330	10
20-01273	B50/20	M10	28	1300	1	455	4
20-00577	B50/30	M10	28	1200	2,6	500	7
20-00578	B50/40	M10	28	1100	3,6	315	10
20-01276	B50/50	M10	28	1050	5,1	505	12,5
20-00822	B60/40	M10	28	1750	4,6	700	6,3
20-01283	B75/50	M12	37	2600	4,3	1185	12,5
20-00824	B75/55	M12	35/37	2400	4,7	1170	13,8
20-00518	B100/40	M16	41	6500	3,2	2310	10
20-01285	B100/55	M16	41	5100	5	2180	13,8
20-01286	B100/60	M16	41	5000	5,6	2125	15

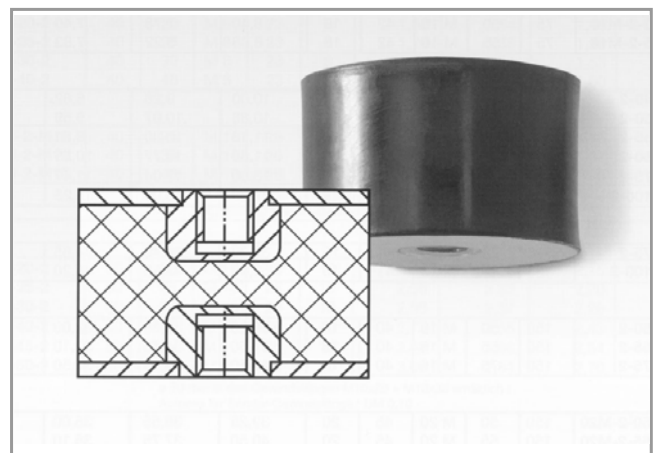
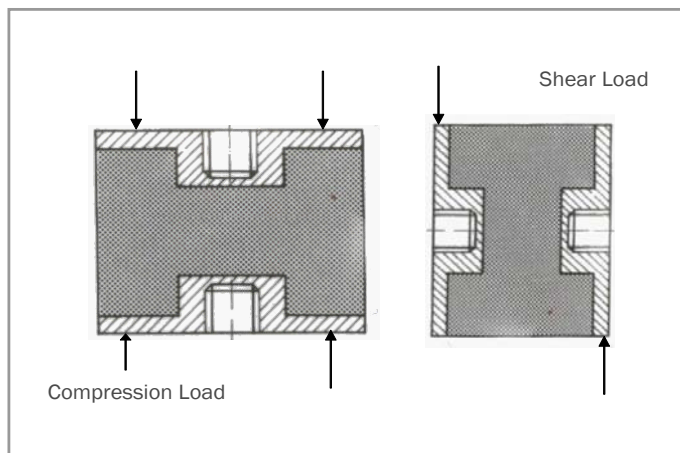
## Features

### Trelleborg Industrial AVS - Bobbins

A supplementary range of cylindrical mountings for a wide range of applications. They can be loaded either in compression or shear taking into consideration individual demands for actual applications.

Figures stated are for natural rubber hardness 60° IRH.

The technical values are to be used for info only.  
If questions, please contact TIAVS.



Part no.	Dimensions Diameter/Height	Bolt Internal Thread	Compression Load		Shear Load	
			F(Max) N	S(Max) mm	F(Max) N	S(Max) mm
20-00095	C10/10	M4	96	1,6	12	1,2
20-00583	C15/15	M4	120	1,5	40	2,0
20-01298	C20/20	M6	170	1,6	50	2,5
20-00584	C20/25	M4	150	2,2	40	2,7
20-00363	C20/30	M6				
20-01291	C25/20	M6	280	1,7	90	3
20-01292	C25/25	M6	260	2,2	80	3,5
20-00475	C30/25	M8	370	2,2	120	3,6
20-01455	C30/30	M8	355	2,6	110	4,1
20-01075	C30/35	M8	436	3,1	208	9,4
20-00476	C30/40	M8	429	3,6	208	10,9
20-00551	C40/30	M8	700	2,7	250	5,2
20-00587	C40/40	M8	650	3,9	250	7,4
20-01456	C50/30	M10	1200	2,4	400	5,2
20-00116	C50/35	M10	1150	2,9	400	6,4
20-01457	C50/40	M10	1100	3,3	400	7,4
20-01025	C50/45	M10	1050	4,1	400	8,6
20-01313	C50/50	M10	1050	4,9	400	9,7
20-01318	C75/40	M12	2900	3,2	900	7
20-01541	C75/45	M12				
20-01320	C75/50	M12	2600	4,1	900	9
20-00125	C75/55	M12	2400	4,6	900	10,1
20-01324	C100/40	M16	6500	2,9	1500	5,6
20-01325	C100/55	M16	5100	4,9	1500	9,1



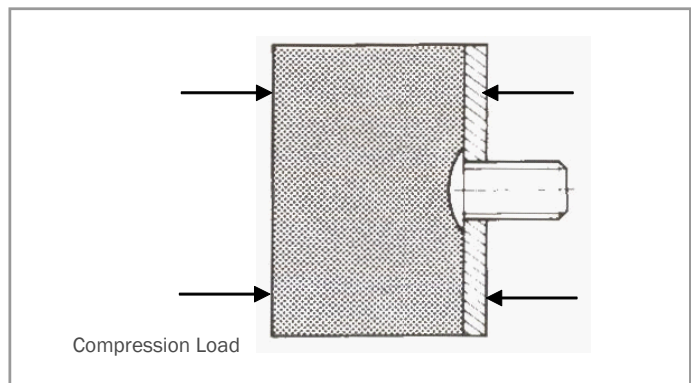
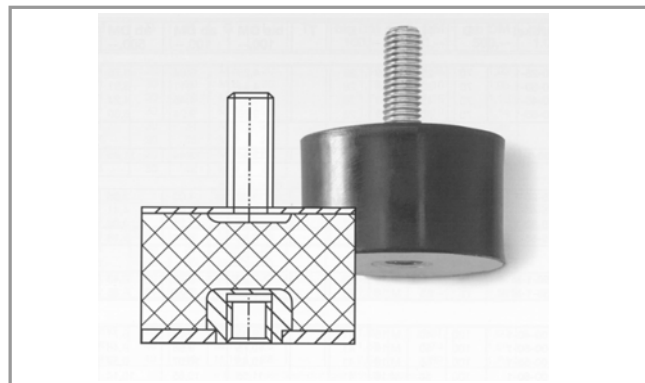
**Features**

**Trelleborg Industrial AVS - Bobbins**

A supplementary range of cylindrical mountings for a wide range of applications. They can be loaded either in compression or shear taking into consideration individual demands for actual applications.

Figures stated are for natural rubber hardness 60° IRH.

The technical values are to be used for info only.  
If questions, please contact TIAVS.



Part no.	Dimensions Diameter/Height	Bolt Internal Thread	Bolt Length mm	Compression Load	
				F(Max) N	S(Max) mm
20-01542	D10/10	M4	10	59	1
20-01459	D15/15	M4	13	115	2
20-01561	D20/10	M6	8/15/18	170	1,1
20-01338	D20/15	M6	18	160	1,4
20-01339	D20/20	M6	15/18	160	1,9
20-01340	D20/25	M6	18	150	2,8
20-01342	D25/10	M6	18	300	0,8
20-01015	D25/15	M6	18	290	1,5
20-01346	D25/20	M6	20	280	2,3
20-00490	D30/15	M8	20	350	3,1
20-00597	D30/17	M8	20		
20-01461	D30/20	M6	20/25	350	4,4
20-00604	D30/25	M6	20	350	5,8
20-00492	D30/30	M8	23	350	7,2
20-01562	D40/25	M8	20/23	1044	2
20-01462	D40/30	M8/M10	28	660	3,3
20-01365	D40/40	M8	28	600	4,6
20-00602	D50/20	M10	28	1500	2
20-00601	D50/30	M10	28	1200	3,3
20-01369	D50/40	M10	28	1100	4,3
20-01370	D50/45	M10	27	1050	5,1
20-00649	D75/25	M12	37	5446	2,5
20-01379	D75/40	M12	37	2900	4
20-01382	D75/50	M12	41		
20-01387	D100/40	M16	41	6600	3,6
20-01388	D100/50	M16		5400	5

## Features

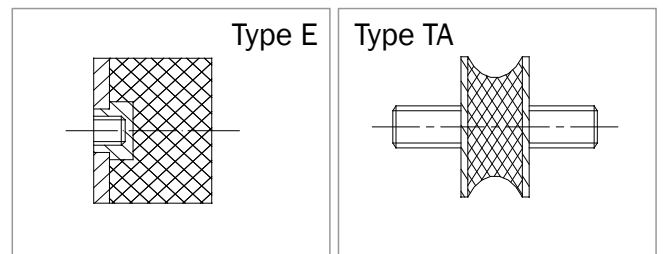
### Trelleborg Industrial AVS - Bobbins

A supplementary range of cylindrical mountings for a wide range of applications. They can be loaded either in compression or shear taking into consideration individual demands for actual applications.

Figures stated are for natural rubber hardness 60° IRH.

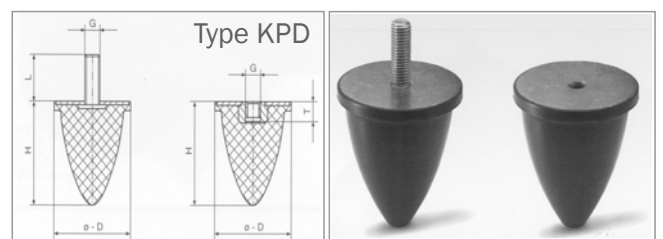
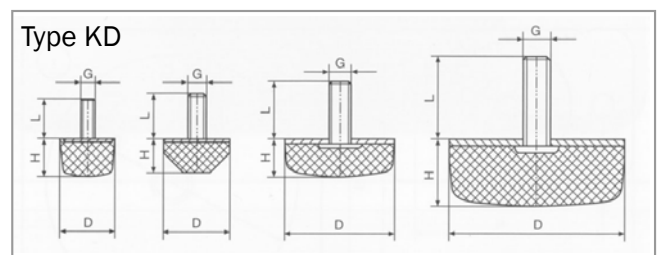
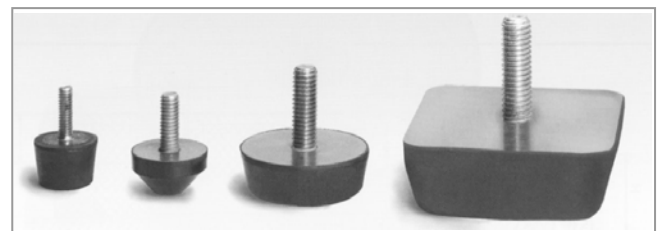


Type E



Type	Part no.	Dimensions Diameter /Height	Bolt Internal Thread	Bolt Length mm
Type E	20-01564	E15/15	M4	
	20-00594	E30/17 A40°	M8	
	20-00668	E40/30	M8	
	20-01464	E40/40	M8	
	20-00501	E50/20	M10	
	20-00607	E50/36 A40°	M10	
	20-01406	E50/40	M10	
	20-01407	E50/45	M10	
Type TA	20-01610	TA25/20	M6	12~18
	20-01647	TA40/30	M8	20
Type KD	10-00087	KD25/12	M6	
	20-00013	KD25/13	M6	16
	20-01611	KD25/17	M6	18
	20-00595	KD50/17	M10	28
	20-01469	KD50/50	M8	20
Type KPD	20-00686	KPD30/30	M8	20
	20-00929	KPD30/36	M8	20

Other dimensions on special demand with minimum quantity and/or order value.



The technical values are to be used for info only.  
If questions, please contact TIAVS.