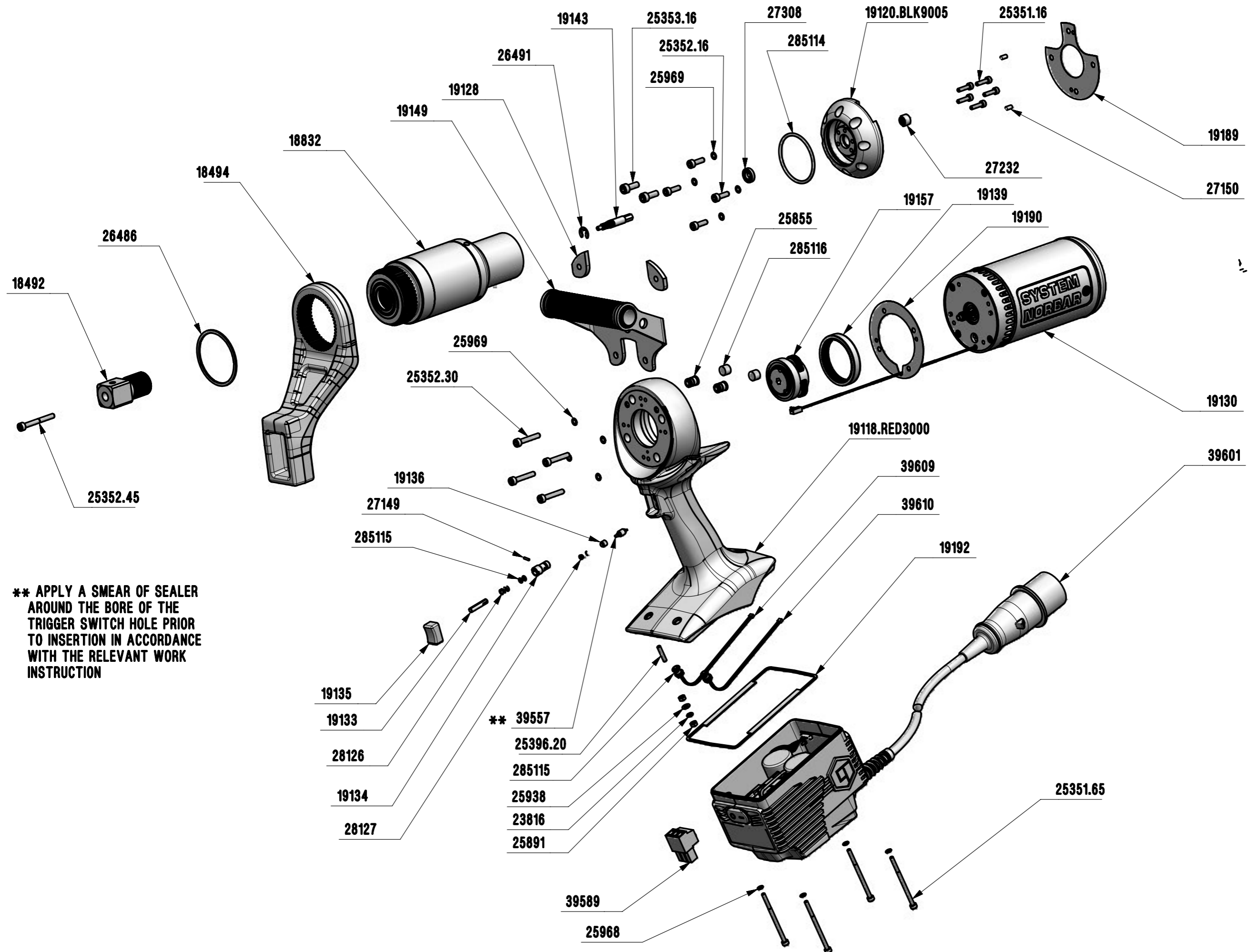


# 18153.B08 - ET-72-2000-230V



**\*\* APPLY A SMEAR OF SEALER AROUND THE BORE OF THE TRIGGER SWITCH HOLE PRIOR TO INSERTION IN ACCORDANCE WITH THE RELEVANT WORK INSTRUCTION**

# 18153.B08 - ET-72-2000-230V

25938	1	WASHER M4 STD. FLAT
23816	1	M4 SPRING WASHER
25396.20	1	SCR SKT GRUB M4 X 20MM
25891	2	M4 NUT STD
39589	1	TERMINAL BLOCK PLUG 3W VERTICAL
19120.BLK9005	1	GEARBOX FLANGE PAINTED BLACK 9005 FOR ET
25969	8	COPPER WASHER 5X8
19118.RED3000	1	CAST HANDLE - MACHINED & PAINTED RED3000
19130	1	MOTOR SUB ASSY 230V
19157	1	ET GEARHEAD CARRIER ASSY
19139	1	ANNULUS FOR ET GEARHEAD 40 DP
19190	1	ET BEARING PLATE GASKET
19189	1	ET GEARBOX FLANGE GASKET
27150	2	CYLINDRICAL ROLLER 4.0 DIA x 8LG
19134	1	TRIGGER BUSH FOR ET
19133	1	TRIGGER SHAFT FOR ET
27149	1	NEEDLE ROLLER 2.0 DIA x 7.8L
28126	1	TRIGGER SPRING
28127	1	SWITCH SPRING
39557	1	PUSHBUTTON SWITCH 9000 SERIES APEM
19136	1	SPRING INSERT FOR TRIGGER MECH
19135	1	TRIGGER KNOB
25352.30	4	SHCS M5 x 30 - 12.9 TO ISO 4762
285114	1	NEOPRENE ORING 53x3
39609	1	LED ASSEMBLY_GREEN
39610	1	LED ASSEMBLY_RED
19143	1	ET GEARHEAD OUTPUT SHAFT
27232	1	NEEDLE ROLLER BRG HK0808
27308	1	BALL RACE SKF 618/8
26491	1	SPRING CLIP 8-11 DIA EXT RSM.7
25352.16	4	SHCS M5 X 16 LG
25855	2	M6 THREADED INSERT
285116	2	NEOPRENE ORING CORD
39601	1	230V ELECTRONICS ENCLOSURE ASSEMBLY FOR ET
19192	1	PCB-ENC-GASKET
285115	4	NEOPRENE ORING 6x1
25968	4	COPPER WASHER 4x7
19149	1	SECONDARY HANDLE ASSEMBLY FOR ET
19128	2	SECONDARY HANDLE INFILL FOR ET
25353.16	2	SHCS M6 x 16 - 12.9 TO ISO 4762
25351.65	4	SHCS M4 x 65 - 12.9 TO ISO 4762
18832	1	PTM-72-2000 GEARBOX ASSEMBLY
25351.16	5	SHCS M4 x 16mm LONG
26486	1	CIRCLIP 60MM EXTERNAL SMALLIFY WS 236