

## DA561

# Isolation Transmitter for mA/V Signals with 2-wire Transmitter Supply



DA561 is specially designed for signal isolation and load amplification in the process industry. A 2-wire transmitter can be connected to and supplied from the isolation amplifier.

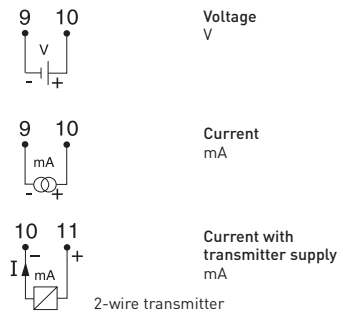
DA561 maintains a high isolation level (1,5 kV) between input and output. Current and voltage can be chosen independently as input and output signals.

- Current and voltage input
- Current and voltage output
- Direct connection of 2-wire transmitter
- Output test terminals
- 1 500 V isolation level
- Short response time
- High noise immunity
- Available for AC or DC power supply
- DIN-rail mounting
- Plug-in screw terminals

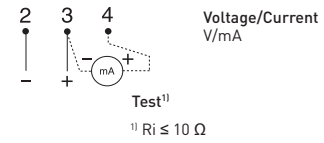
### Specifications:

<b>Input Voltage</b>	0(0.2)-1 V, 0(1)-5 V, 0(2)-10 V	
<b>Input impedance</b>	1 M $\Omega$	
<b>Input Current</b>	0(4)-20 mA (standard setting)	
<b>Input impedance</b>	11.9 $\Omega$	
<b>Maximum input level</b>	200 % of measurement span	
<b>Output Voltage</b>	0(0.2)-1 V, 0(1)-5 V, 0(2)-10 V, short circuit protected	
<b>Minimum load</b>	500 k $\Omega$ (error effect <0.1 %)	
<b>Voltage limitation</b>	Appr. 56 V	
<b>Output Current</b>	0(4)-20 mA, open or short circuit protected (standard setting)	
<b>Maximum load</b>	600 $\Omega$	
<b>Current limitation</b>	Appr. 23 mA	
<b>Test output</b>	mA instrument, $R_i \leq 10 \Omega$	
<b>Transmitter supply voltage</b>	19 VDC, max. ripple 100 mV p-p	
<b>Operation temperature</b>	-20 to +60 °C / -4 to +140 °F	
<b>Galvanic isolation</b>	AC & DC version	
	Input to output	1 500 VAC, 1 min
	Input/output to power supply	2 200 VAC, 1 min
<b>Power supply</b>	AC versions	230 VAC, -15..+10 %, 45..75 Hz, 115 VAC, -15..+10 %, 45..75 Hz
	DC version	19.0...60.0 VDC
<b>Typical accuracy</b>	$\pm 0.15$ % of span	
<b>Connections</b>	Plug-in terminals	Stranded, $\leq 2.5$ mm <sup>2</sup> , AWG 14
<b>Mounting</b>	Rail acc. to DIN EN 50022, 35 mm	

### Input connections



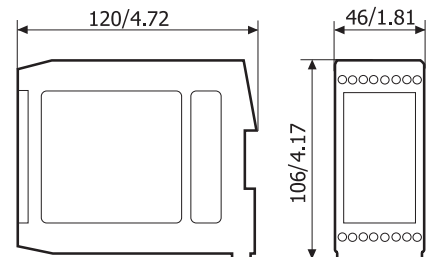
### Output connections



### Power supply



### Dimensions



mm/inches

### Ordering information

DA561, In/Out 0(4)-20 mA, 230 VAC	51MOE00006
DA561, In/Out 0(4)-20 mA, 115 VAC	51MOE00084
DA561, In/Out 0(4)-20 mA, 19-60 VDC	51MOE00007
Configuration for other range	70CAL00003